

Biometric Full Height Turnstile

FHT2300: Full Height Turnstile

FHT2311: Full Height Turnstile with RFID Access Control System

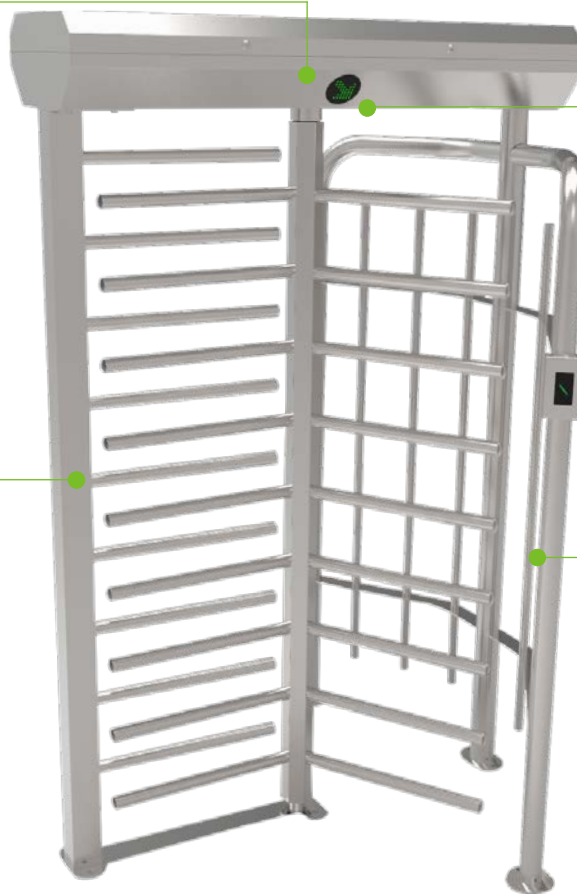
FHT2322: Full Height Turnstile with Fingerprint and RFID Access Control System

Semi-automatic
mechanism

Visible indicator

SUS304 stainless
steel cabinet

Modular design



Application



Industrial facility



Corporate security



Government security

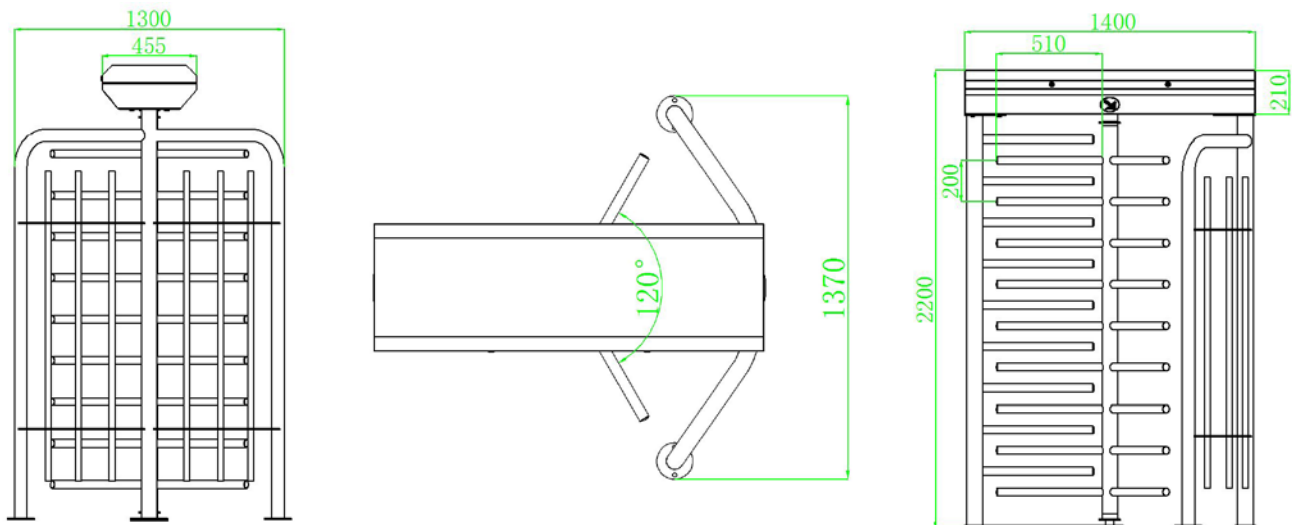


Public transportation

Specifications

| | | |
|---------------------|------------------------|-------------------|
| Power requirements | AC110V/220V, 50/60Hz | |
| Working temperature | -28°C ~ 60°C | |
| Working humidity | 0%~95% | |
| Working environment | Indoor/Outdoor | |
| Speed of throughput | RFID | Maximum 30/minute |
| | Fingerprint | Maximum 25/minute |
| | Face | Maximum 15/minute |
| | Vein | Maximum 15/minute |
| Lane width(mm) | 600 | |
| Footprint(mm*mm) | 1400*1370 | |
| Dimension(mm) | L=1400 W=1370 H=2200 | |
| LED indicator | Y | |
| Cabinet material | SUS304 Stainless Steel | |
| Barrier material | SUS304 Stainless Steel | |
| Barrier movement | Rotating | |
| Emergency mode | Y | |
| Security level | High | |
| MCBF | 2 million | |
| Ingress protection | IP54 | |

Dimensions (mm)



More details

ZKTECO CO.,LTD.
E-mail: sales@zkteco.com
www.zkteco.com

© Copyright 2015. ZKTECO CO., LTD. ZKTECO Logo is a registered trademark of ZKTECO or a related company. All other product and company names mentioned are used for identification purposes only and may be the trademarks of their respective owners. All specifications are subject to change without notice. All rights reserved.

