

# inPulse

## Finger Vein

### Standalone Access Control Terminal



**inPulse** is an IP-based finger vein access control terminal that works as a standalone device or connected to a third party access control panel using Wiegand interface. With patented vein recognition technology, inPulse is able to identify fake or dry fingers, and providing excellent performance under strong sunlight.

# Features



Modern Design & Interactive UI



High Security Finger Vein Recognition



Multiple Verification Modes:  
Finger Vein / Card / Password



Simple Management & Scalability



TFT-LCD Color Touch Screen



# Specifications (G: GL Exclusive Feature)

## Capacity

- G Finger Veins 1,500
- Cards 10,000
- Transactions 100,000

## Communication

- G TCP/IP
- USB Host
- Wiegand Input / Output
- Security Relay Box

## Access Control Interface

- Lock Relay Output
- Alarm Output / Auxiliary Input
- Exit Button / Door Sensor
- Doorbell Output

## Hardware

- G 1.2GHz High Speed CPU
- G Memory 128MB RAM / 256MB Flash
- G 2.8 Inches TFT-LCD Touch Screen
- 125KHz EM Reader / Mifare (Optional)
- Hi-Fi Voice & Indicator
- Tamper Switch Alarm

## Standard Functions

- Access Levels / Groups / Holidays
- DST / Bell Schedule
- Duress Mode (Password)
- Anti-Passback
- Record Query
- Custom Wallpaper & Screen Saver

## Special Functions

- G Multiple Verification Modes
- ZK Encrypted Card

## Compatibility

- Wiegand Slave Reader
- ZKBioSecurity Software

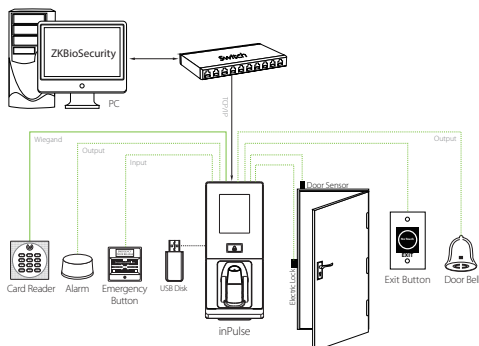
## Additional Info

- Working Temperature: -10 °C ~ 50 °C
- Dimensions: 201.7 × 85 × 102.7 mm
- ZKVein v3.0 Algorithm
- Finger Vein: FAR≤0.0001% FRR≤0.01%
- Package Includes 12V 3A Power Supply

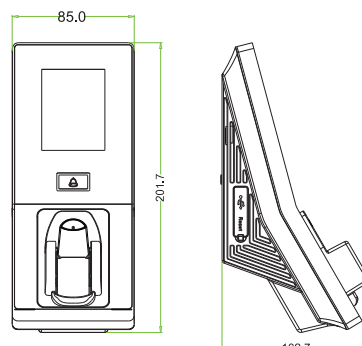
## Power

- Operating Voltage 12V DC
- Current Draw < 500mA

# Configuration



# Dimensions (mm)



ZKTeco Middle East  
www.zkteco.me  
E-mail: zk\_me@zkteco.com



© Copyright 2016, ZKTeco Inc. ZKTeco Logo is a registered trademark of ZKTeco or a related company. All other product and company names mentioned are used for identification purposes only and may be the trademarks of their respective owners. All specifications are subject to change without notice. All rights reserved.