



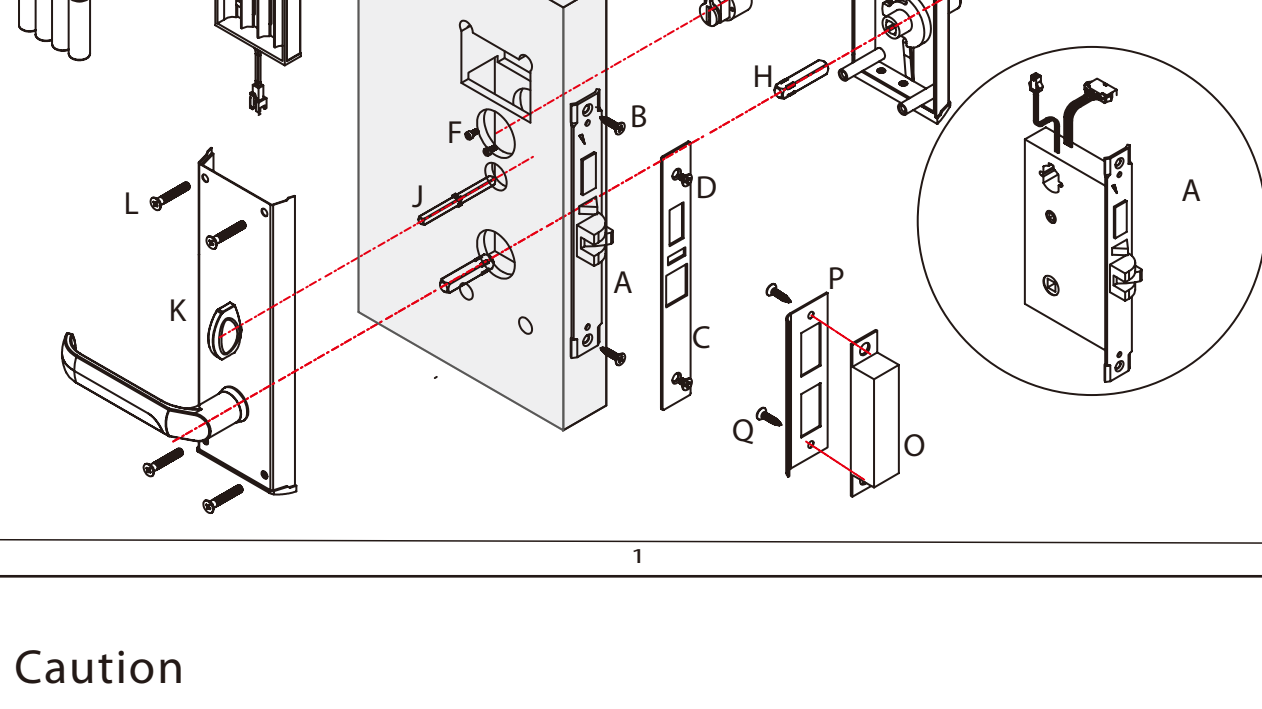
# Installation Instruction

LH2600

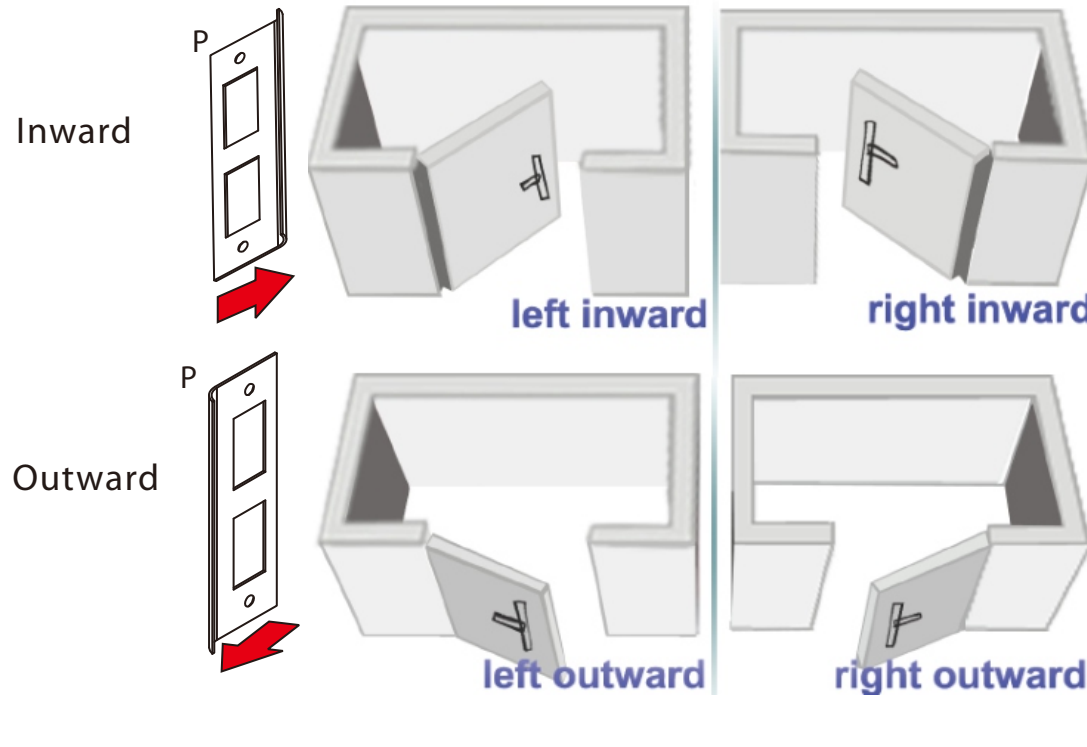
Version:1.0  
Date: March 2014

## Diagram and Caution

### Diagram



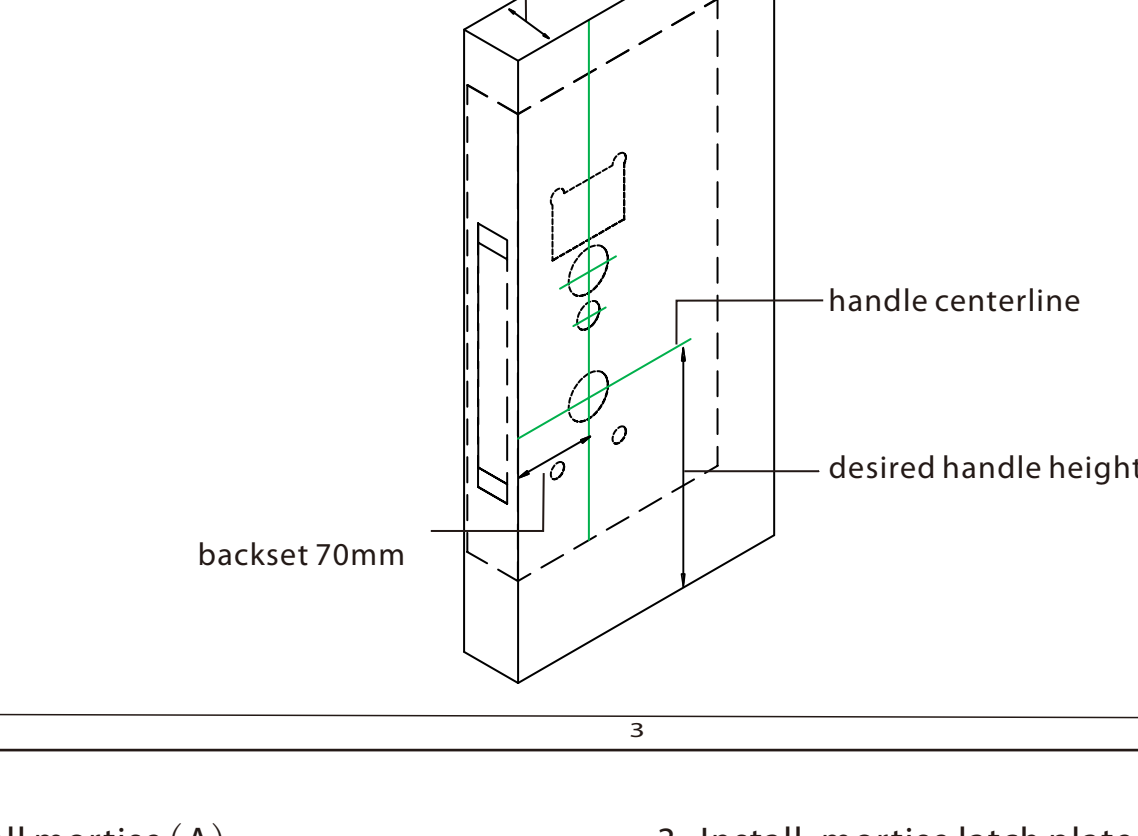
### Caution



1. Please wear eye-protection device to protect your eyes when drilling and slotting.
2. Do not use electric drill or electric screwdriver to tighten the screws.

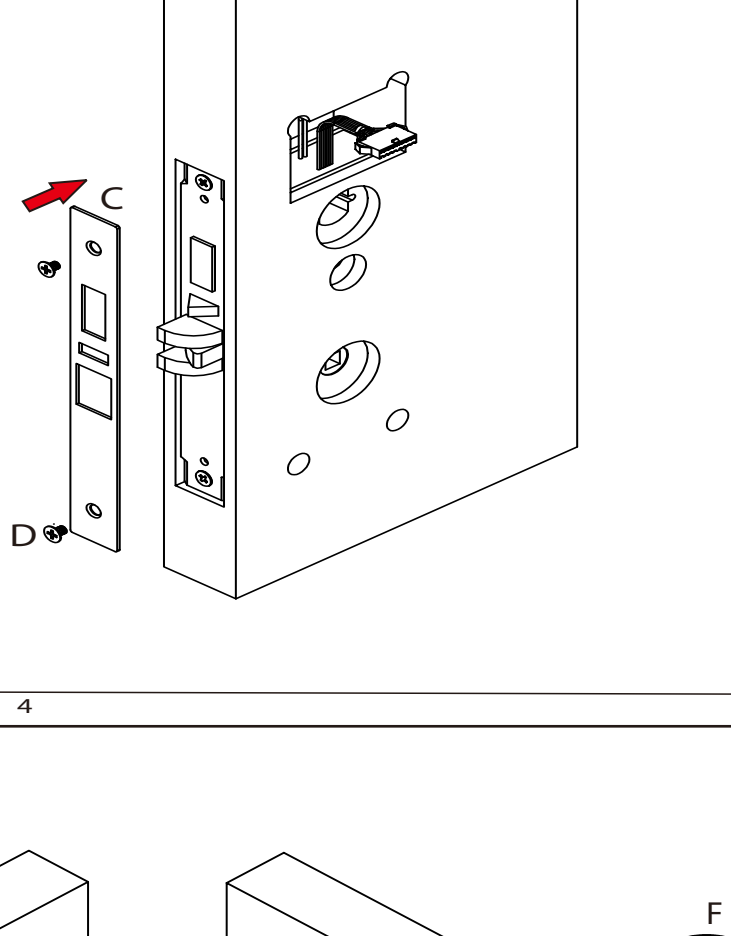
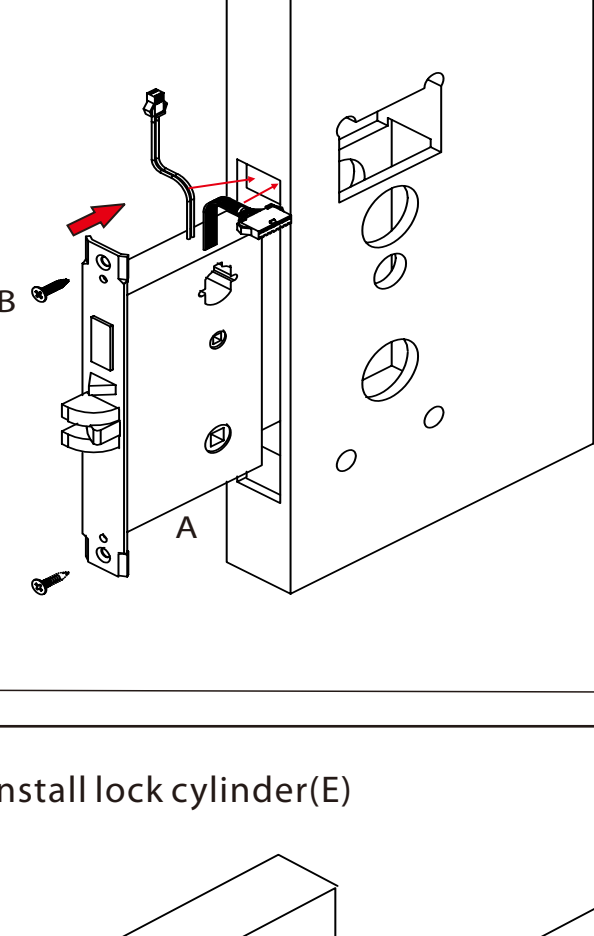
## Installation Step

1. Align the template along the vertical center line of the mortise(A) at the desired handle height, and tape it to the door. Drill the hole on the door.

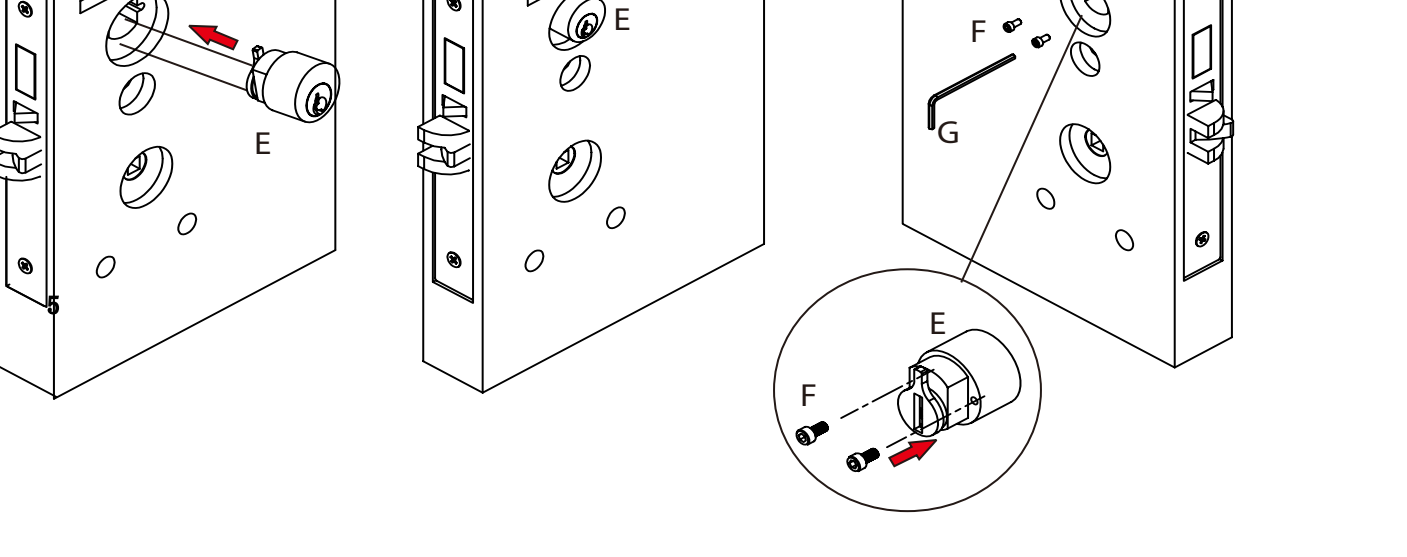


2. Install mortise (A)

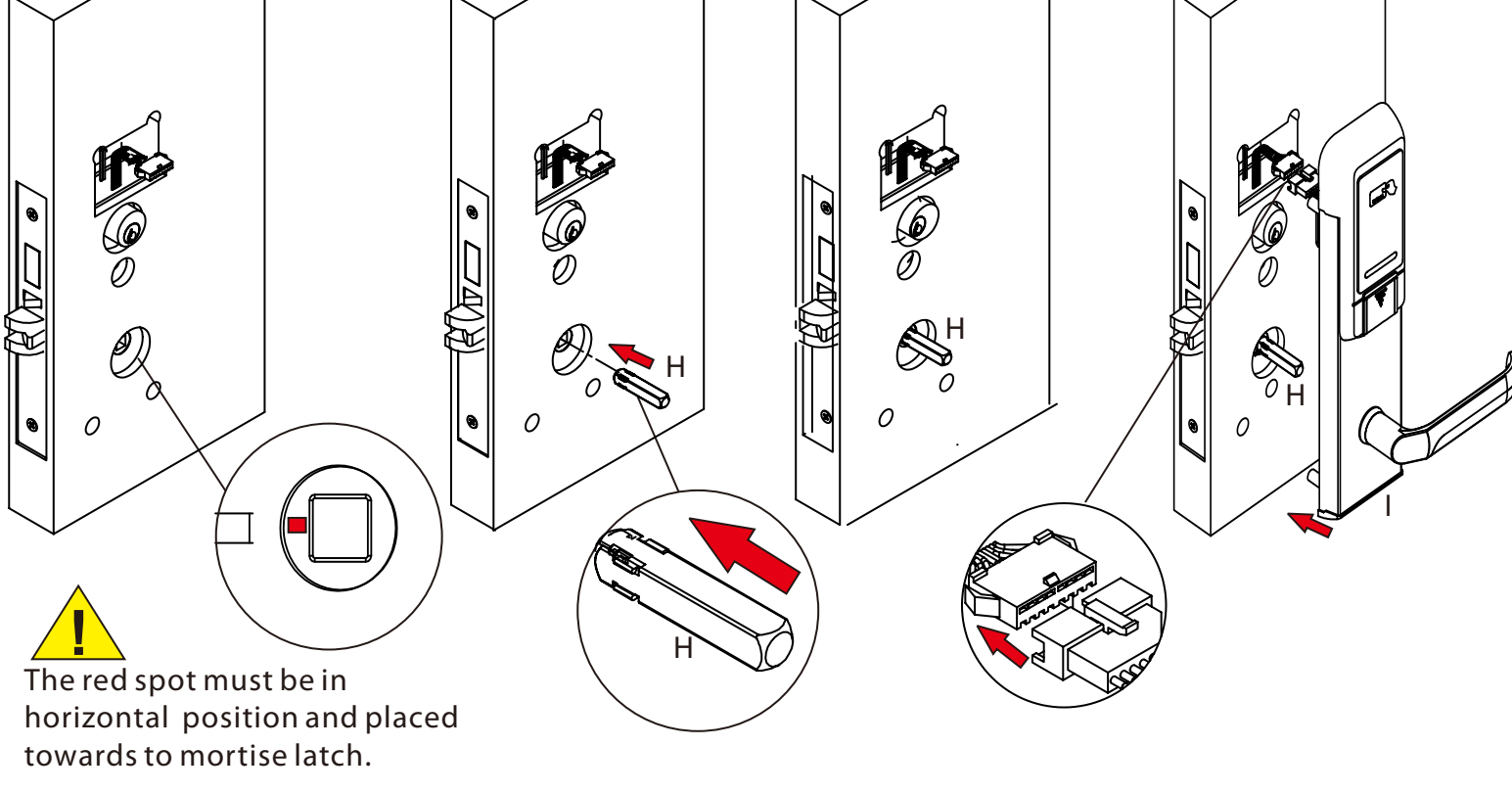
3. Install mortise latch plate (C)



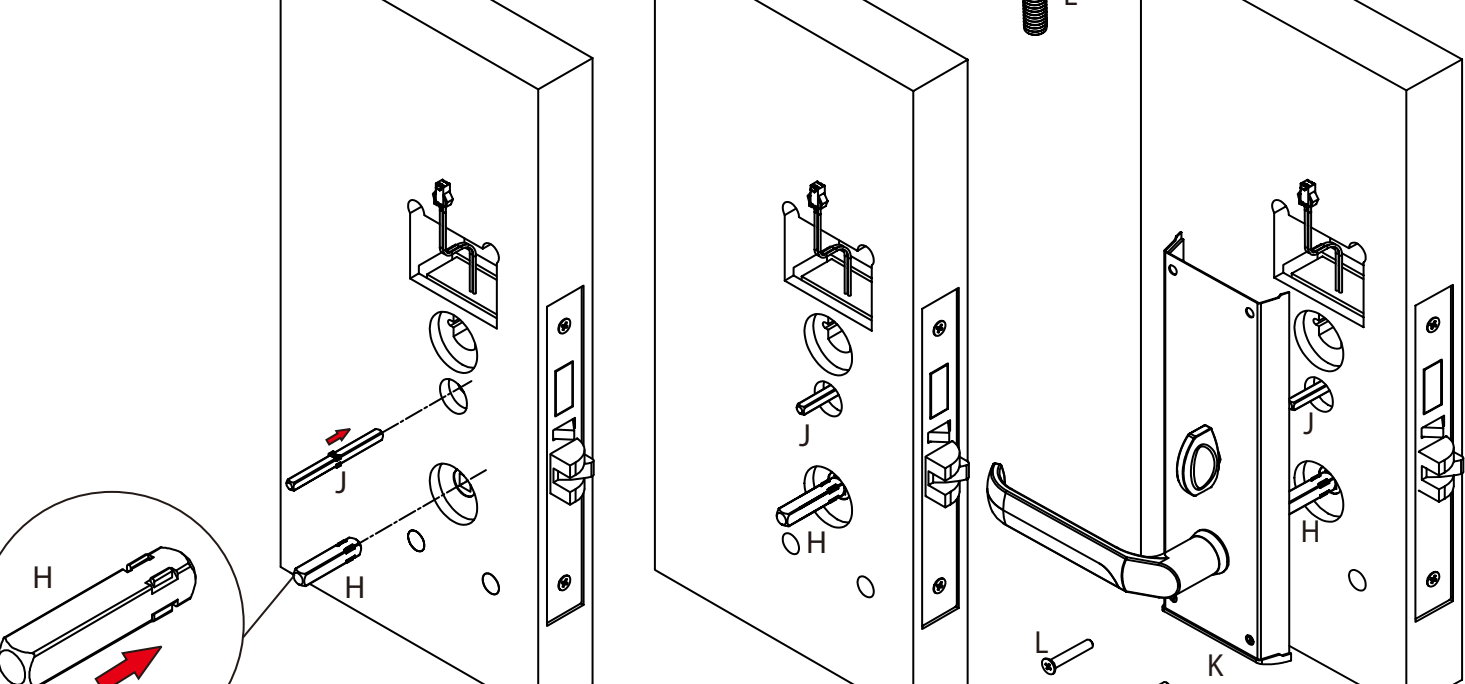
4. Install lock cylinder(E)



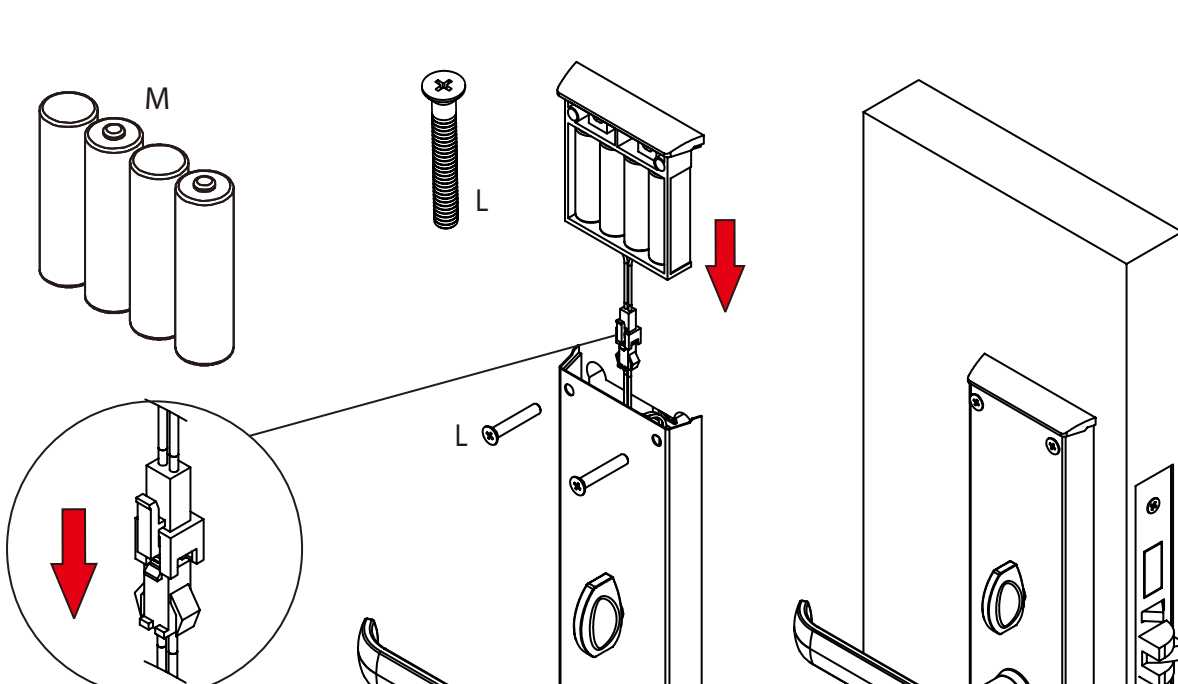
5. Insert big spindle(H) and fix outdoor unit (I)



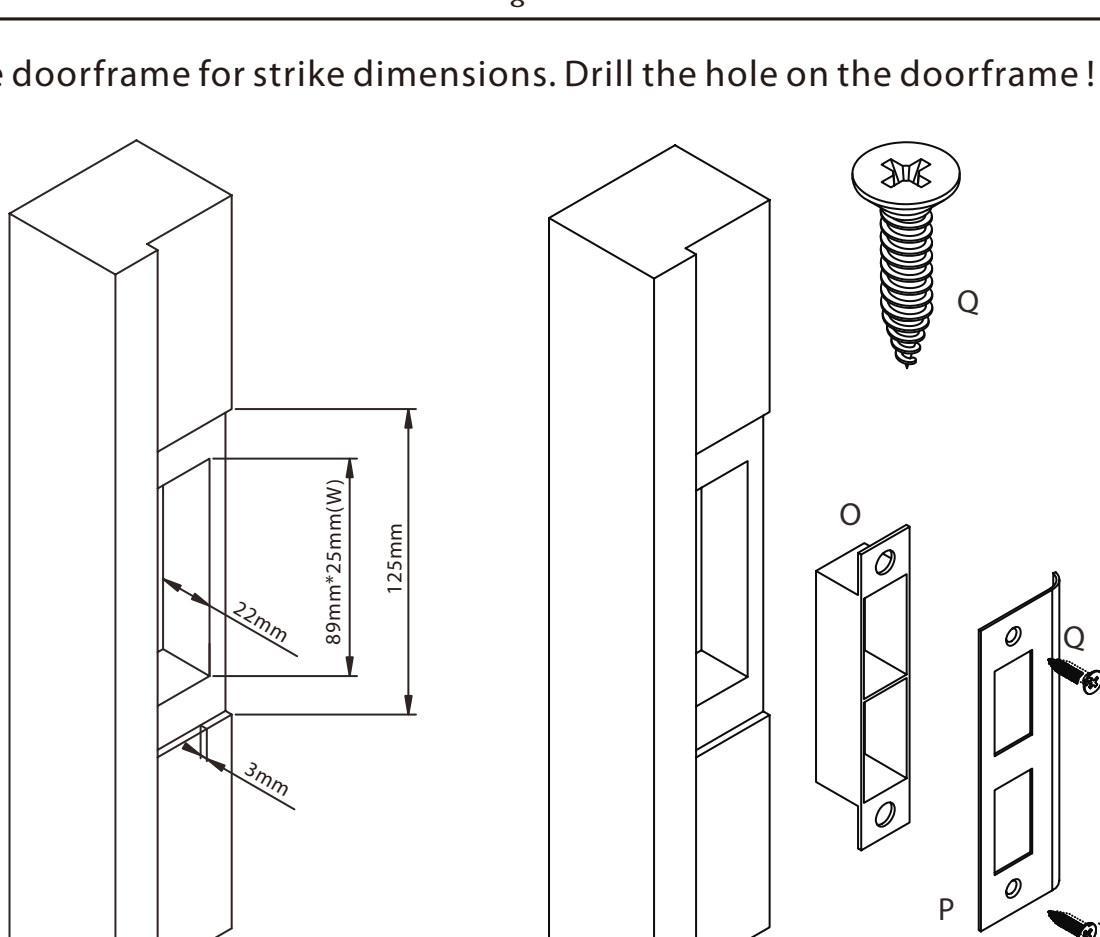
6. Insert big spindle(H) and slim spindle(J), and install the indoor unit(K)



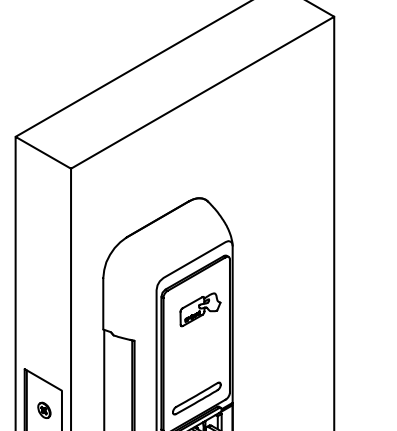
7. Install batteries(M), fix the indoor unit(K)



8. Measure the doorframe for strike dimensions. Drill the hole on the doorframe !



9. Test the lock by rotating handle and emergency key(R)



### Maintenance

1. Avoid contacting with corrosive substances.
2. Do not hang objects on the handle.
3. When battery power is low, the lock will beep to remind user to renew the batteries.
4. Please do not mix up positive and negative while replacing battery.

### Warm tips

1. The software within the lock manages the RFID cards, for more details please refer to the software user manual.
2. Please keep the emergency key in a safe place, as backup.
3. If there are any questions, please do not hesitate to contact the seller.