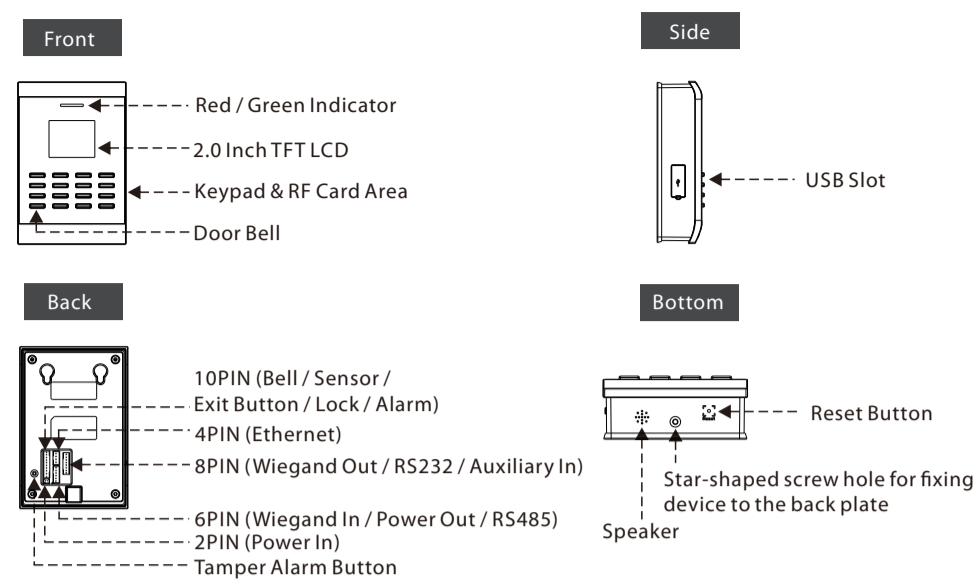


Quick Start Guide

2.0-Inch TFT RFID Access Control Terminal

Version: 1.0

1 Overview

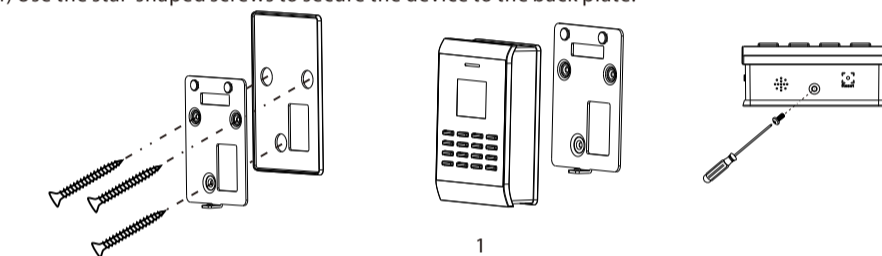


2 Cautions

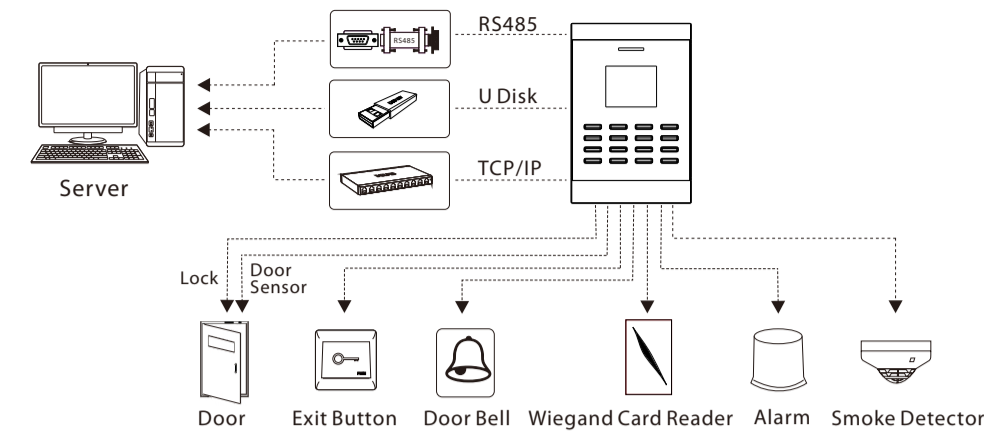
- 1) Shut down the power during installation.
- 2) DC 12V/3A power supply is recommended.
- 3) Do not install the device in a place subject to direct sunlight or humidity.
- 4) Please read the instruction of using wire terminals carefully and strictly follow the rules for wiring.
- 5) To prevent static electricity from damaging the device, please connect the GND before other wirings under serious electrostatic environment.
- 6) It is necessary to connect the FR107 diodes in parallel to the positive and negative poles of the electrical lock, so as to release the self-inductance EMF generated when the lock is turned ON/OFF.

3 Wall-Mounted Installation

- Before installation, please connect the cables to wire terminals.
- 1) Put the mounting positioning sticker onto the wall and drill holes.
 - 2) Fix the back plate onto the wall.
 - 3) Mount the device on the back plate.
 - 4) Use the star-shaped screws to secure the device to the back plate.

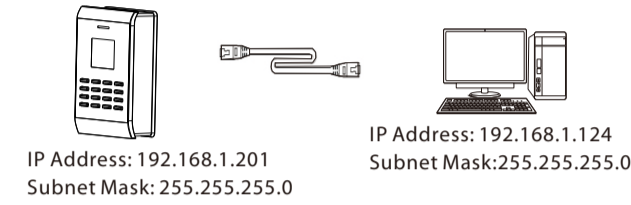


4 Wiring Diagram

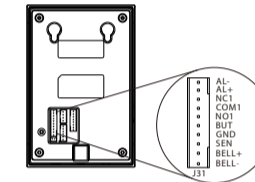


5 Connection with PC via Ethernet Cable

To connect device with a PC directly, connect them by an ethernet cable. An example is shown as below:



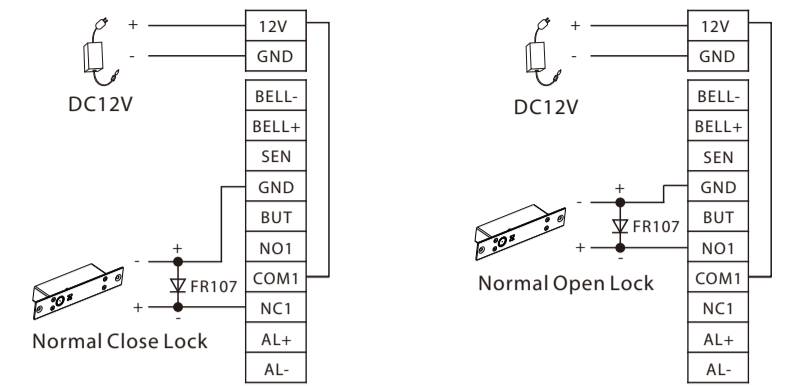
6 Lock Connection



PIN	Description	Color
1	Bell BELL-	Purple
2	Bell BELL+	Brown
3	Sensor SEN	White
4	Ground GND	Black
5	Button BUT	Gray
6	Normal Open NO1	Blue
7	COMM COM1	Red
8	Normal Close NC1	Yellow
9	Alarm AL+	Orange
10	Alarm AL-	Green

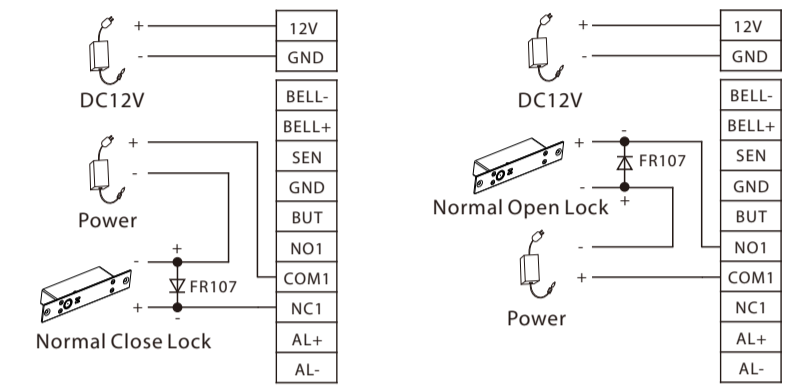
Under following situations, device shares power with the lock:

$U_{lock} = 12V, I_{lock} > 1A$ and the distance between the lock and the device is equal to or less than 10 meters.



Under following situations, device does NOT share power with the lock:

- A. $U_{lock} = 12V, I_{lock} \leq 1A$
- B. $U_{lock} \neq 12V$
- C. The distance between the lock and the device is more than 10 meters.



'I': device output current 'U_{lock}': lock voltage 'I_{lock}': lock current

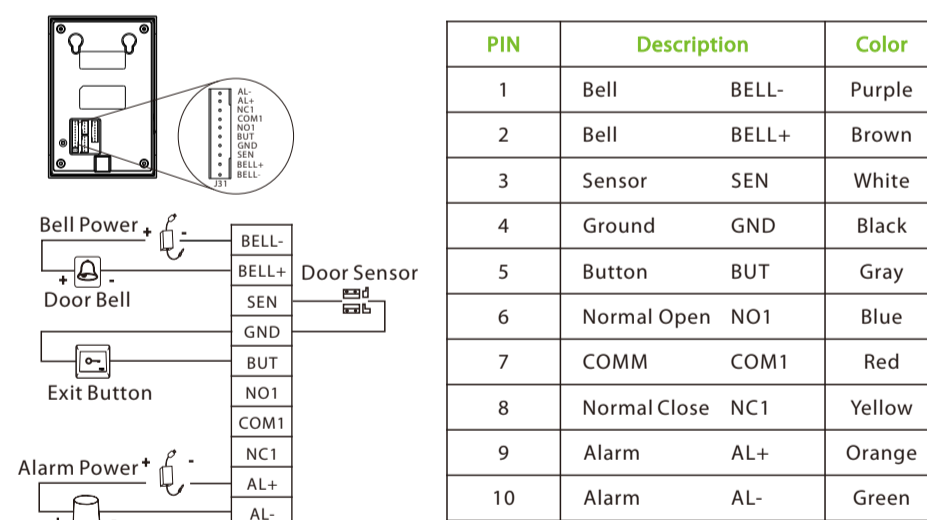
- (1) The system supports NO LOCK and NC LOCK. For example the NO LOCK (normally open when power is on) is connected with 'NO' and 'COM' terminals, and the NC LOCK (normally close when power is on) is connected with 'NC' and 'COM' terminals.
- (2) When the Electrical Lock is connected to the Access Control System, you must connect one FR107 diode (equipped in the package) in parallel to prevent the self-inductance EMF from affecting the system.



Do not reverse the polarities.

3

7 Door Bell & Door Sensor & Exit Button & Alarm Connection

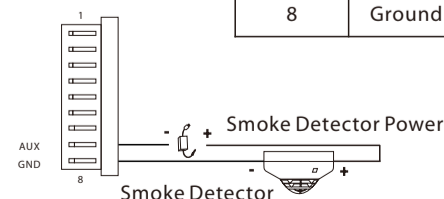


PIN	Description	Color
1	Bell BELL-	Purple
2	Bell BELL+	Brown
3	Sensor SEN	White
4	Ground GND	Black
5	Button BUT	Gray
6	Normal Open NO1	Blue
7	COMM COM1	Red
8	Normal Close NC1	Yellow
9	Alarm AL+	Orange
10	Alarm AL-	Green

8 Smoke Detector Connection



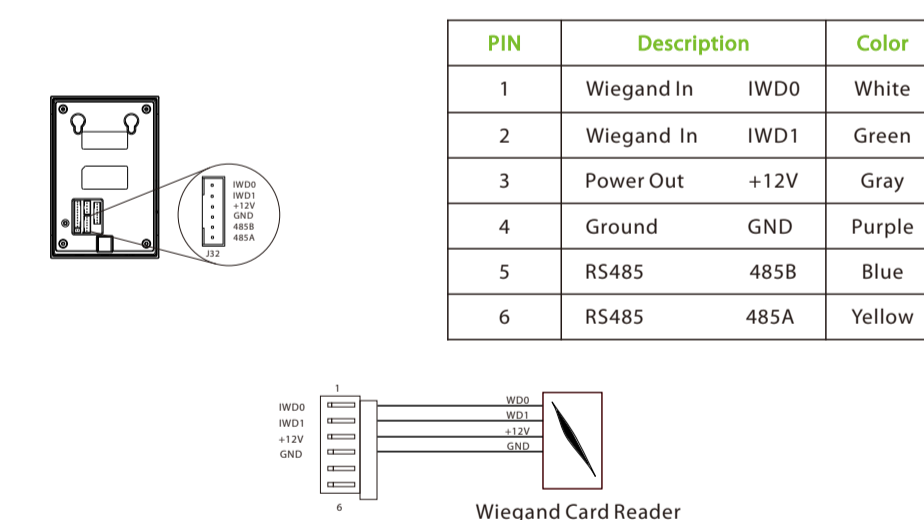
PIN	Description	Color
1	Wiegand Out WD0	Green
2	Wiegand Out WD1	White
3	Ground GND	Black
4	RS232 RXD	Gray
5	RS232 TXD	Purple
6	Ground GND	Black
7	Auxiliary In AUX	Blue
8	Ground GND	Yellow



This device has an Auxiliary In interface (AUX+) which allows it to be connected with an external source, for instance, a smoke detector, gas detector, infrared sensor or emergency switch.

4

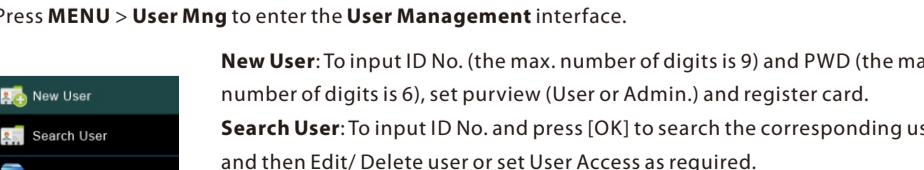
9 Wiegand Card Reader Connection



PIN	Description	Color
1	Wiegand In IWD0	White
2	Wiegand In IWD1	Green
3	Power Out +12V	Gray
4	Ground GND	Purple
5	RS485 485B	Blue
6	RS485 485A	Yellow

Recommended power supply: 12V ± 10%, at least 500mA. To share power with other devices, use a power supply with higher current ratings than the total operating current.

10 Power Connection



PIN	Description	Color
1	Power In +12V	Red
2	Ground GND	Black

Note: User can register ID card or Mifare card according to the actual product's function.

5

12 Access Control Setting

Press **MENU** > **Access** to enter the **Access Control Setting** interface.

- Time Zone:** To add time zones for the device, so as to control door access according to those time zones.
- Holiday:** To add holidays and set the time zone for those days.
- Access Group:** To manage users in groups. Group members can set a personal time zone or use the group time zone.
- Unlock Comb.:** To add unlock combination and set the number of users required for unlocking in the access group used by that combo. (The total number of users in the access group must be equal to or smaller than 5)
- A&C Parameters:** To set Locking Time (sec.), Door Sensor Delay (sec.), Door Sensor Mode (Open, Close or No), Alarm Delay (sec.), Alarm Count (times), Normal Close / Normal Open Time Zone and validity of holidays.
- Linkage Setting:** For the specific setting method, please refer to the Linkage Setting below.
- Duress Alarm:** To set the duress alarm delay time (sec.) as required.
- Anti-Passback:** To set the anti-passback function for the device.
- Reset A&C Setting:** To reset all Access Control settings to factory default. The device will then restart automatically.

- Linkage Setting**
The device supports Auxiliary In function. The device will perform corresponding linkage operations accordingly when receiving a linkage signal.
Press **MENU** > **Access** > **Linkage Setting** > **Linkage Setting** to enter the **Linkage Setting** interface.
- Lock Relay:** The lock will be Normal Open after the device receives a linkage signal.
- Alarm Relay:** Alarm will be triggered after the device receives a linkage signal.
- Lock & Alarm Relay:** The lock will be Normal Open and alarm will be triggered after the device receives a linkage signal.

Linkage Cancellation
After the device receives an Auxiliary In signal, linkage will be triggered, and a "Linkage function is turned on" message will be displayed. Press [MENU] to enter the Main Menu interface. The **Cancel linkage?** message will be displayed on the screen. Press [OK] to confirm and cancel linkage.

- Remarks:**
- 1) **Conditions of Linkage Cancellation**
 - The device is fixed to the back plate.
 - The Door Sensor has been reset.
 Otherwise the linkage cannot be canceled.
 - 2) When the Normal Open/Normal Close function is enabled, two conditions may occur:
 - When the door is set to Normal Open, the door will stay open and the alarm will be disabled after linkage cancellation during the time zone of Normal Open; when it is out of the time zone of Normal Open, the door will be closed and the alarm will be disabled.
 - When the door is set to Normal Close, the door will be closed and the alarm will be disabled after linkage cancellation.

6

13 Communication Setting

Press **MENU** > **Comm.** to enter the **Communication Setting** interface.

- Network:** Set device's IP address (192.168.1.201 as default), gateway address (0.0.0.0 as default) and subnet mask (255.255.255.0 as default).
- RS485:** Set the baud rate for the communication between the device and PC.
- Security:** Set the **Device ID** and **Password** for the connection between the device and PC. The default password is 0, which means there is no password.
- Wiegand:** To configure Wiegand Function.

14 Trouble Shooting

- 1) "Time Zone Deny" is displayed after successful user verification.
 - Contact the Administrator to check whether the user's permission is restricted in that time zone.
- 2) Verification succeeded, but the door does not open.
 - Check if the user permissions setting is reasonable.
 - Check if the lock wiring is correct.
- 3) When the device is tampered, it will send a signal to trigger the Tamper Alarm, and a notice of "Tamper Alarm" will be displayed. (The alarm will only ring when a Tamper Alarm is connected to the device.)
 - To cancel the triggered alarm mode, please reinstall the device properly.

7