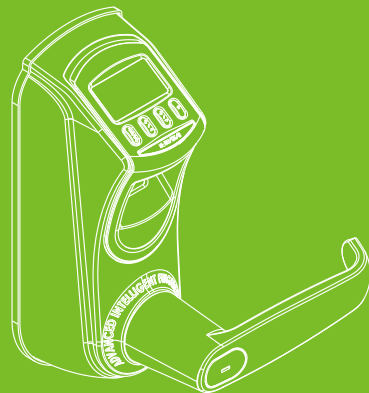


Installation Instruction

L7000

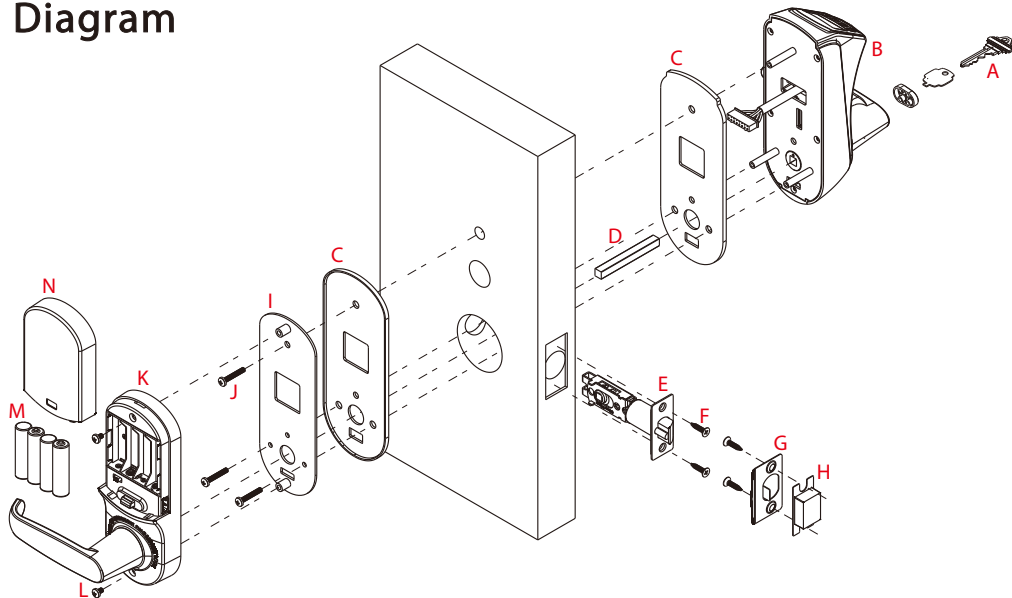
Version: 1.0

Date: Mar., 2015

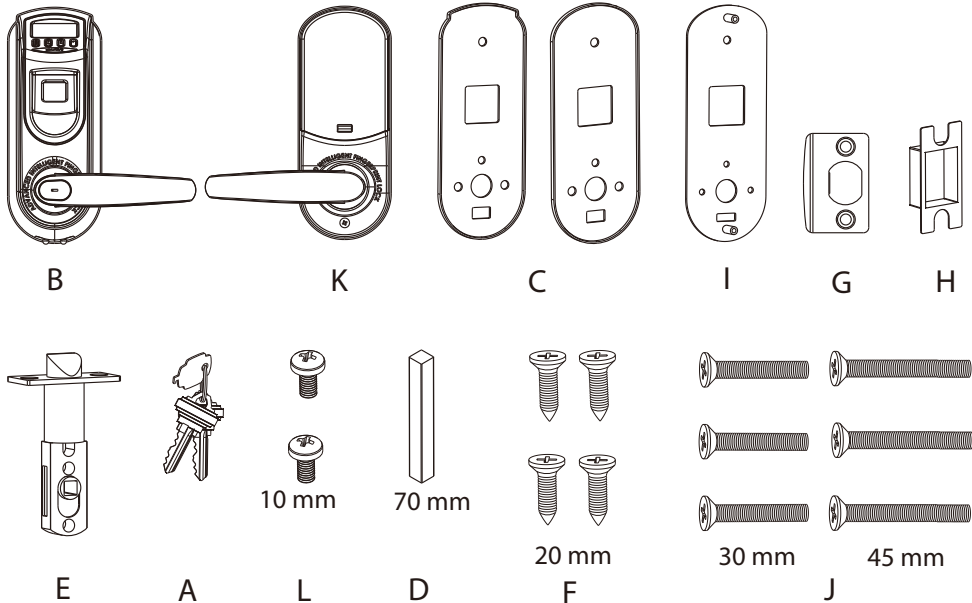


Before Installation

Diagram



Packing List



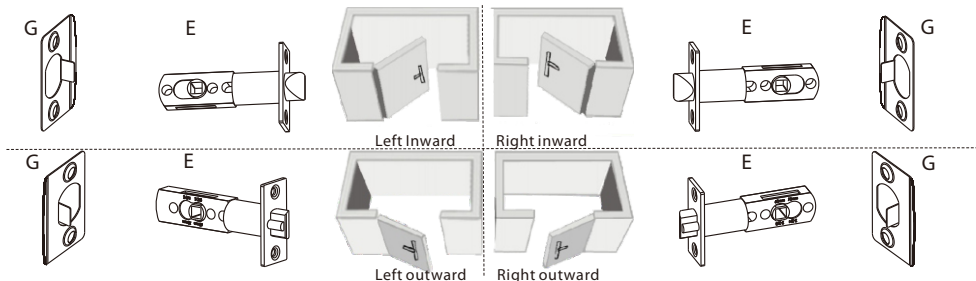
Door Preparation

1. Check door thickness, prepare the proper screws and spindles.

Door Thickness	D Spindle	J Screw	L Screw	F Screw
35-48 mm	70 mm	30 mm	10 mm	20 mm
48-55 mm		45 mm		
55-75 mm	90 mm	60 mm		

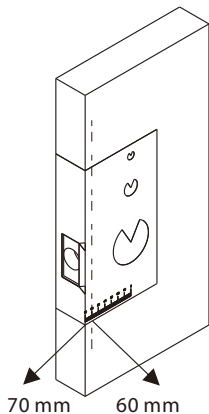
Note: Screws and spindles for door thickness of 55-75 mm are not included in the standard package.
Please contact the dealer in necessary.

2. Check door open direction.

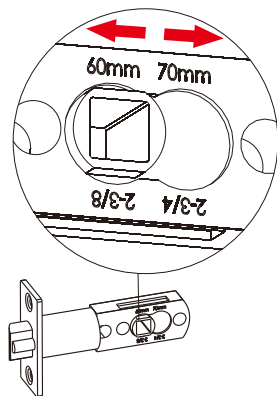


Note : Please install the latch E and strike plate G according to the above pictures.

3. Check the required backset (60 mm or 70 mm).



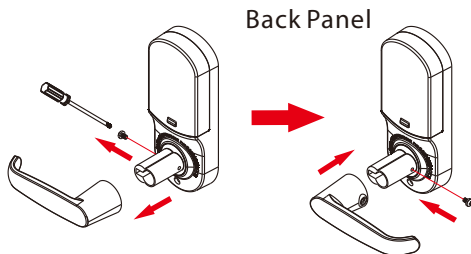
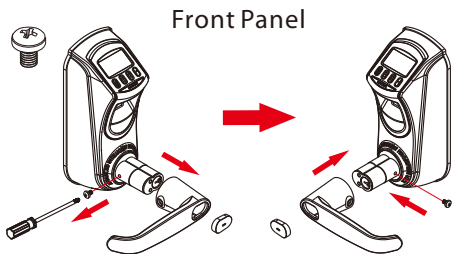
Note1: Installation template has the backset options of both 60 mm and 70 mm.



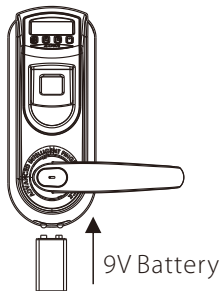
Note2: The latch has two backset options: 60 mm or 70 mm, please adjust it by yourself.

Tips

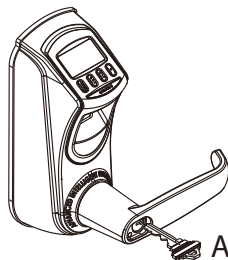
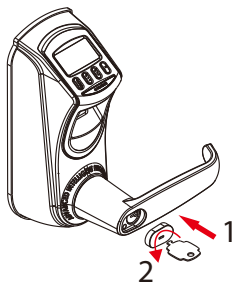
1. How to change the handle direction?



2. How to use emergency power?



3. How to use mechanical key ?



Step1: Insert the equipped tool into the hole.
Step2: Rotate the tool at 90°, then pull out the cover.

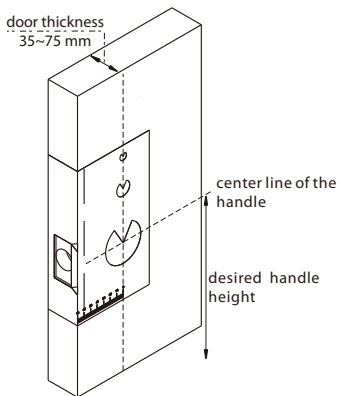
Insert the key into key hole and rotate 90°.

Cautions

1. New lock is defined as always open mode.
2. Please register administrator firstly to prevent any illegal access.
3. The lock is equipped with mechanical keys for manual unlocking. Remove mechanical keys from the package and keep them in a safe place.
4. To power on the lock, four alkaline AA batteries (not included) are required. Non-alkaline and rechargeable batteries ARE NOT RECOMMENDED.
5. Do not remove batteries when the lock is in working state.
6. The operation of setting lock has a stand-by time limit of 10 seconds. Without any activity, lock will shut off automatically.
7. Keep your fingers clean when using this lock.

Installation

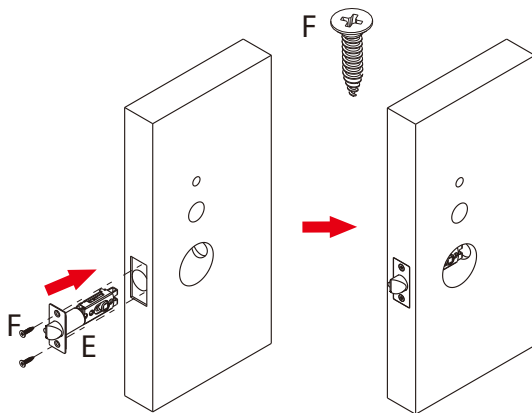
1. Drill holes on the door



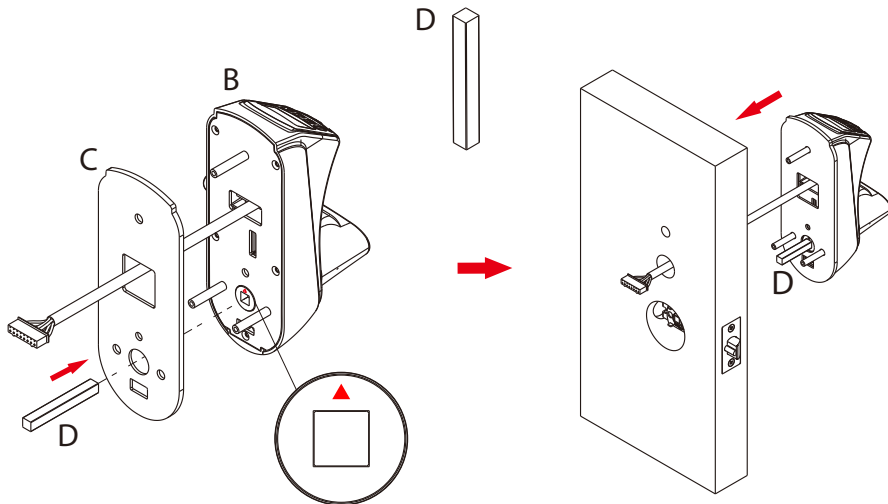
Note 1: Align the template along the vertical center line of the latch (E) at the desired handle height, and tape it to door.

Note 2: Mark the holes first, then start drilling.

2. Install the latch (E)

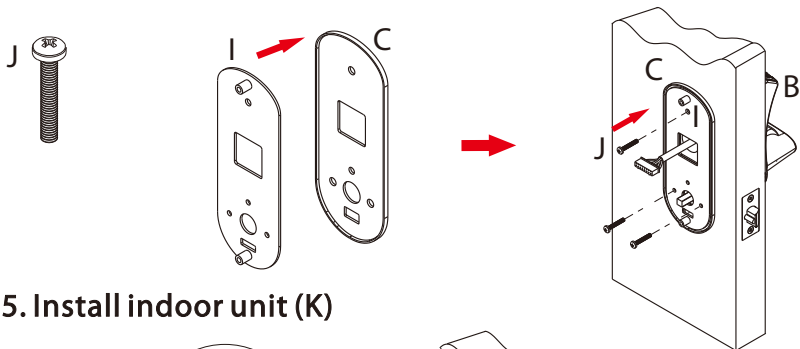


3. Install outdoor unit (B) with gasket (C) and spindle (D) on the door

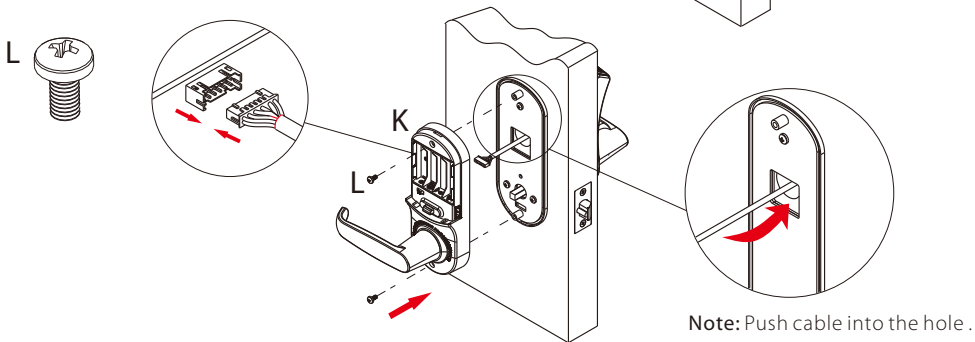


Note: Ensure the small triangle is vertically upward.

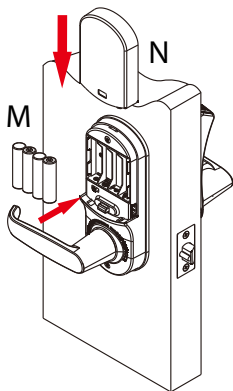
4. Install mounting plate (I) with gasket (C) on the door



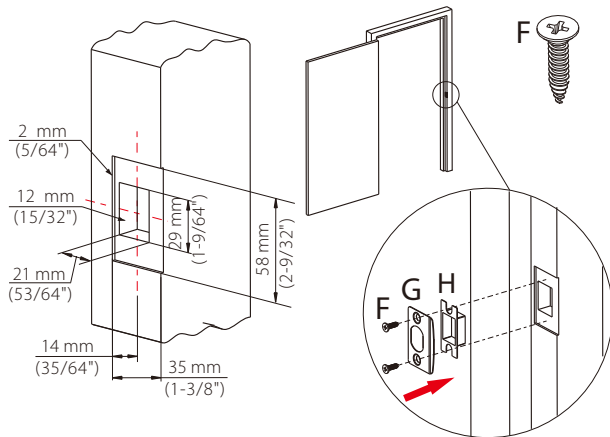
5. Install indoor unit (K)



6. Install the battery (M)



7. Mark and drill holes for strike



8. Test the lock by mechanical key (A) or registered fingerprint

