

# QUICK START GUIDE

Applicable Model: G2



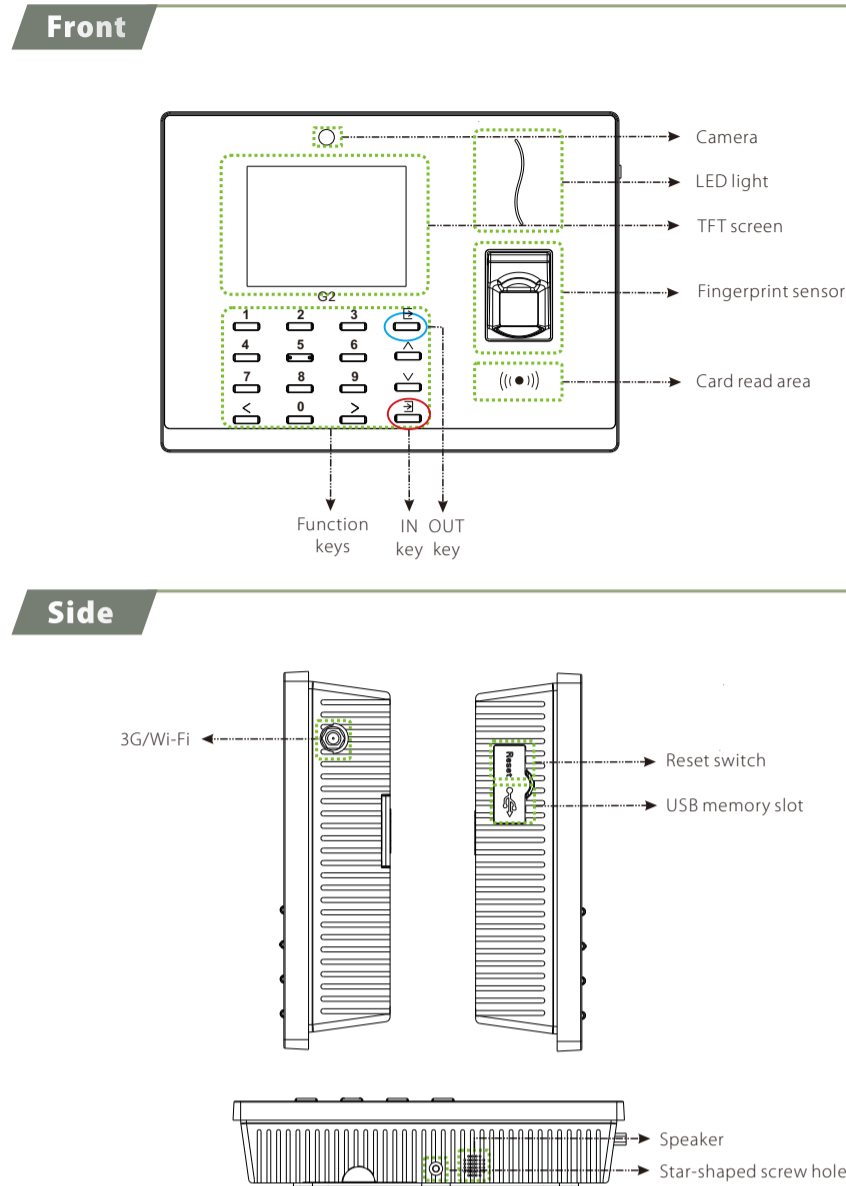
## Safety Precautions

Before installation, please read the following safety precautions for user safety and to prevent device damage.

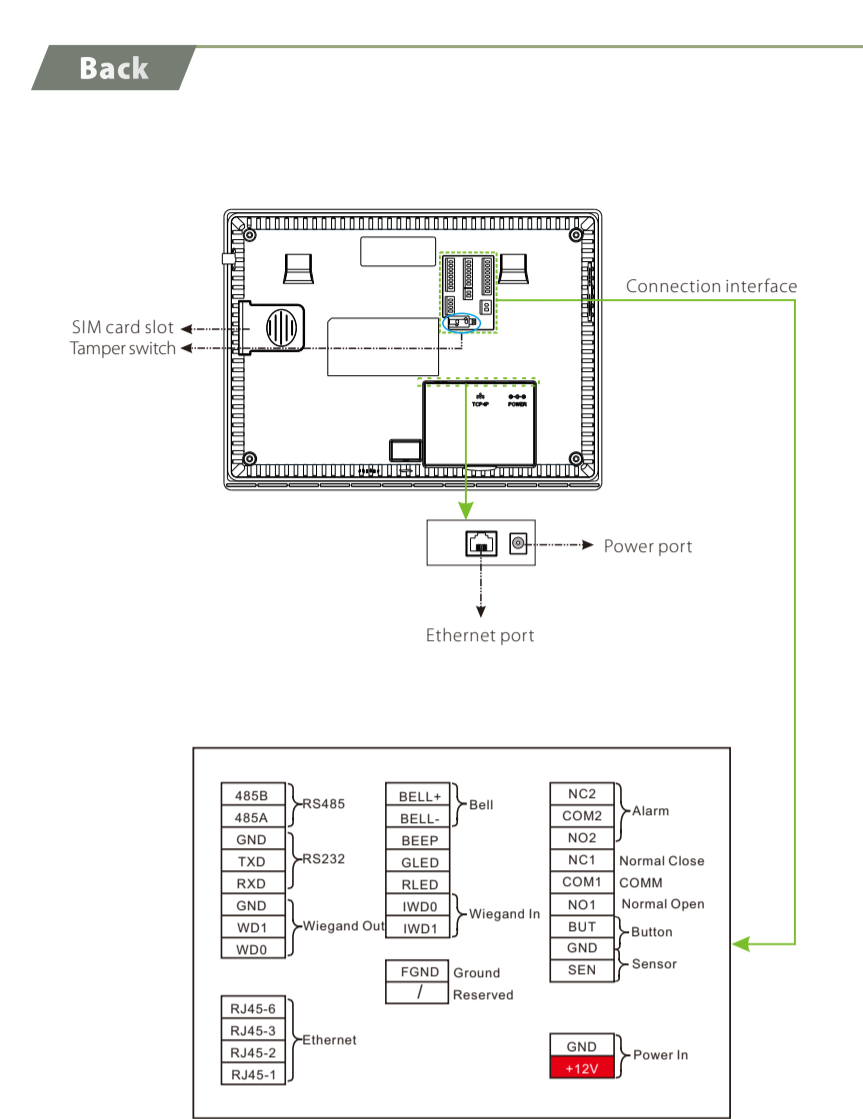
- Do not install the device in a place subject to direct sun light, humidity, dust or soot.
- Do not place magnet near the product. Magnetic objects such as magnet, CRT, TV, monitor or speaker may damage the device.
- Do not place the device next to heating equipment.
- Do not let liquid like water, drinks or chemicals leak inside the device.
- Do not let children touch the device without supervision.
- Do not drop or damage the device.
- Do not disassemble, repair or alter the device.
- Do not use the device for any purpose other than those specified.
- Clean the device often to remove dust on it. While cleaning, do not splash water on the device but wipe it out with smooth cloth or towel.

Contact your supplier in case of any problem!

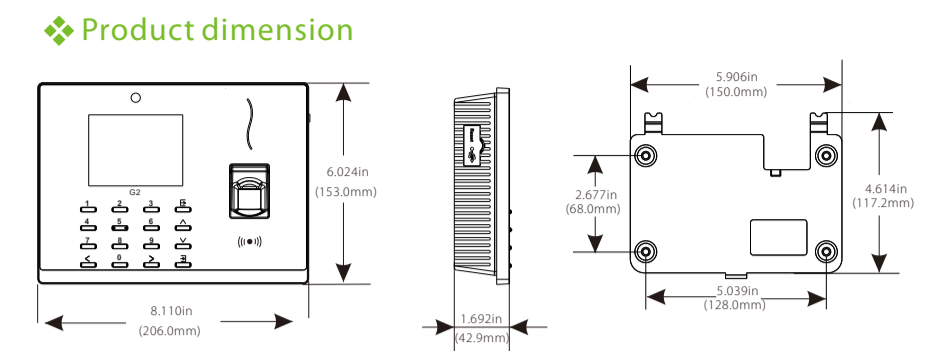
## Device Overview



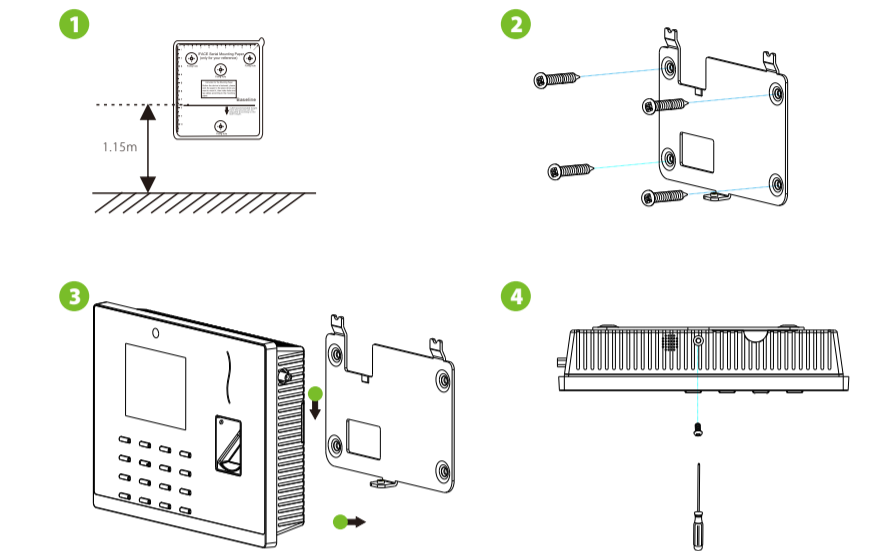
## Product PIN Diagram



## Product Dimension & Installation



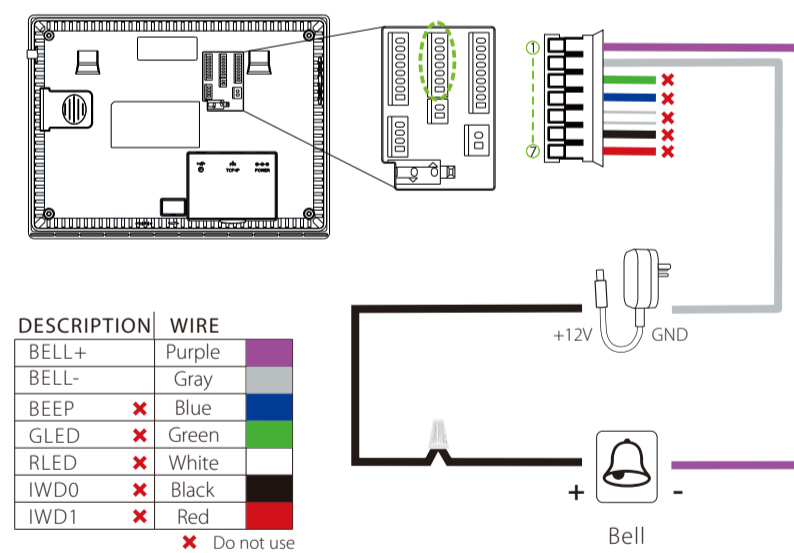
### Mounting the device on wall



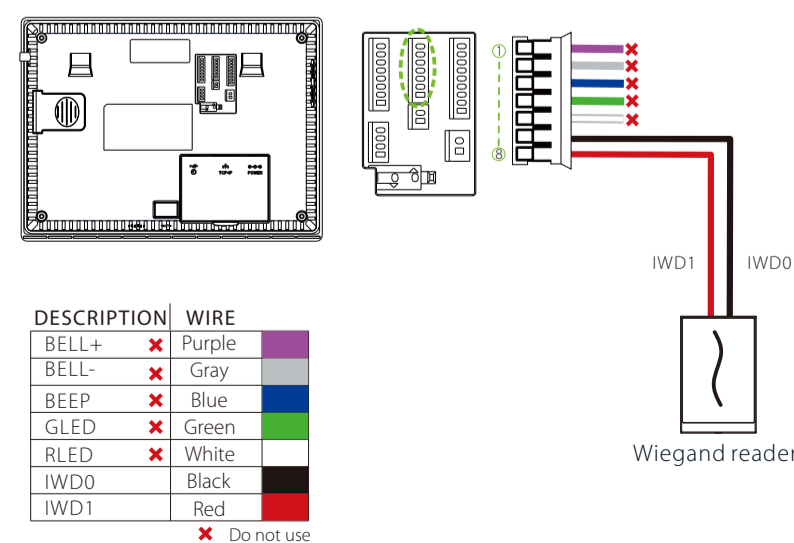
- ① Paste the mounting template sticker onto the wall, and drill holes according to the mounting paper.
- ② Fix the back plate onto the wall using wall mounting screws.
- ③ Insert the device into back plate.
- ④ Use security screw to fasten the device to back plate.

## Bell & Wiegand Connection

### External bell connection



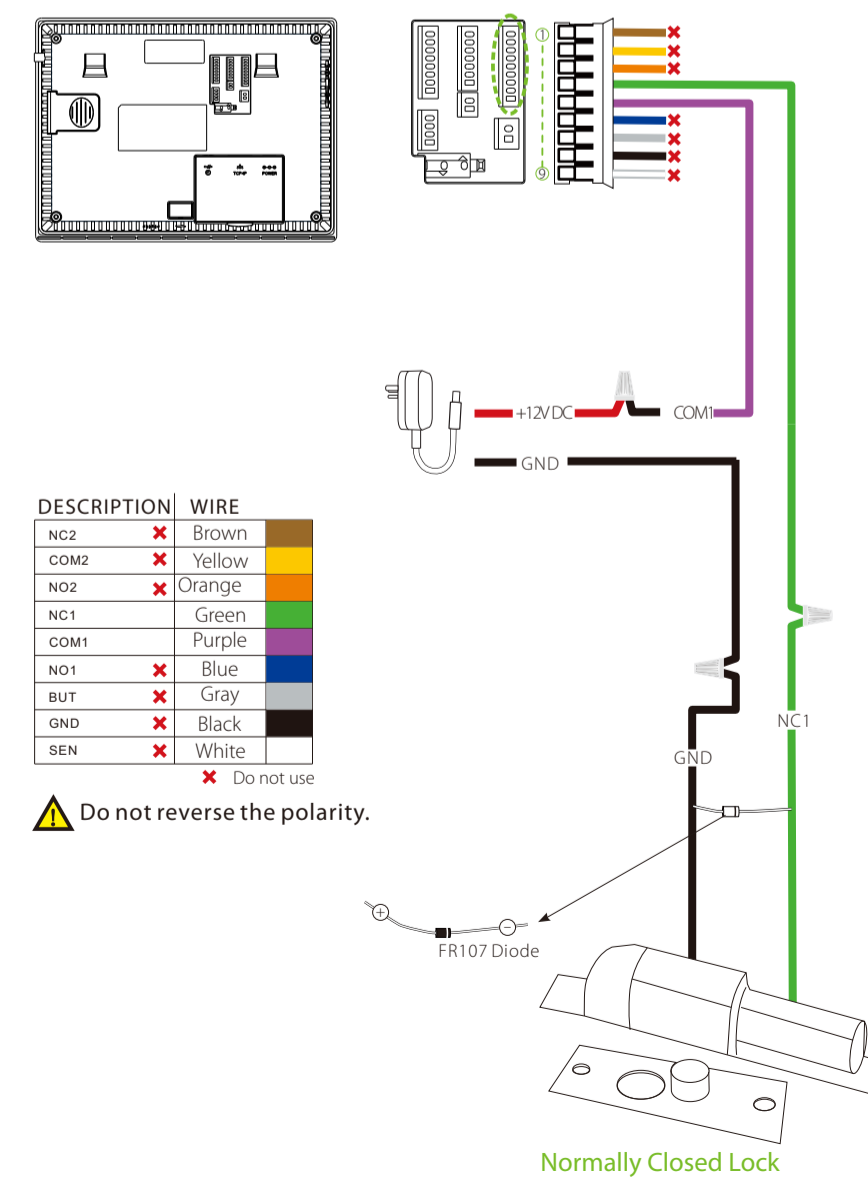
### Wiegand In connection



## Lock Relay Connection

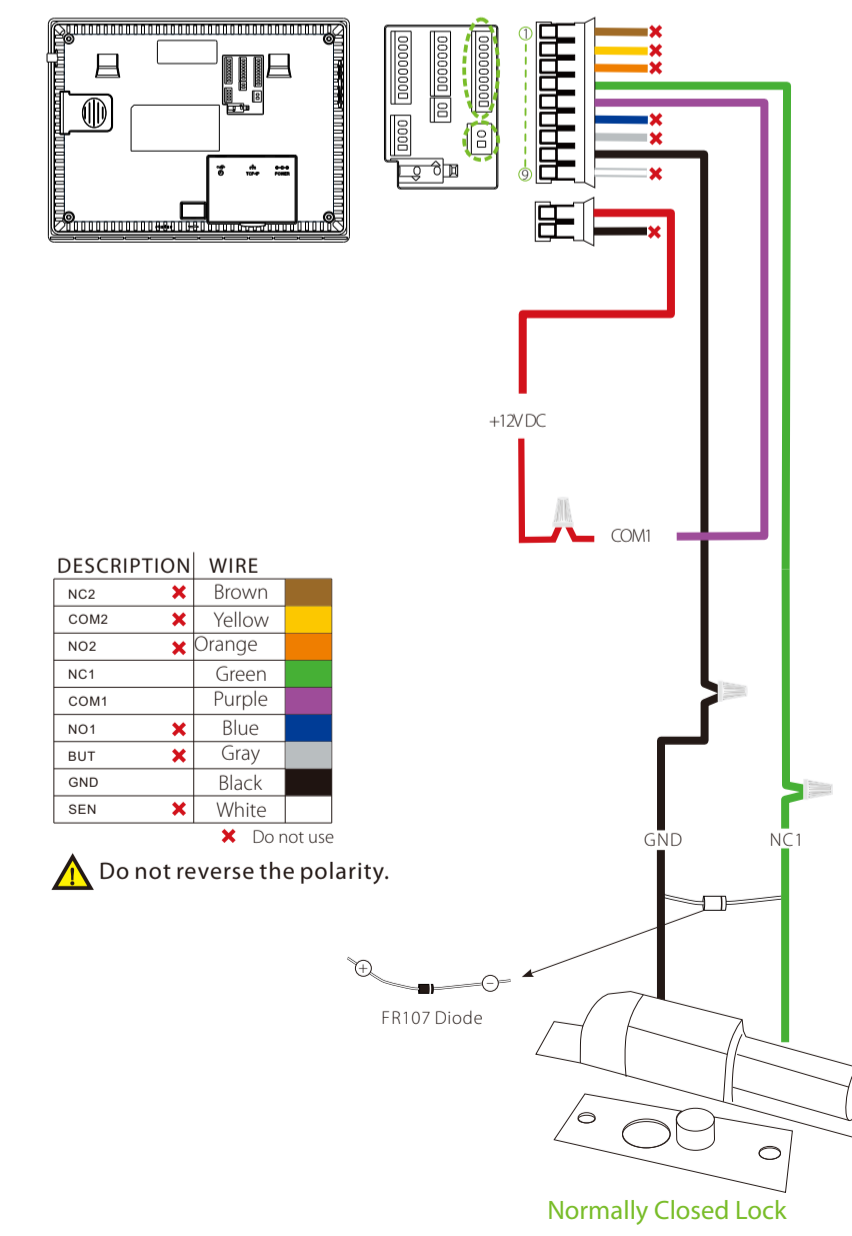
The system supports Normally Open Lock and Normally Closed Lock. For example, the NO LOCK (normally) opened.

### Device not sharing power with the lock



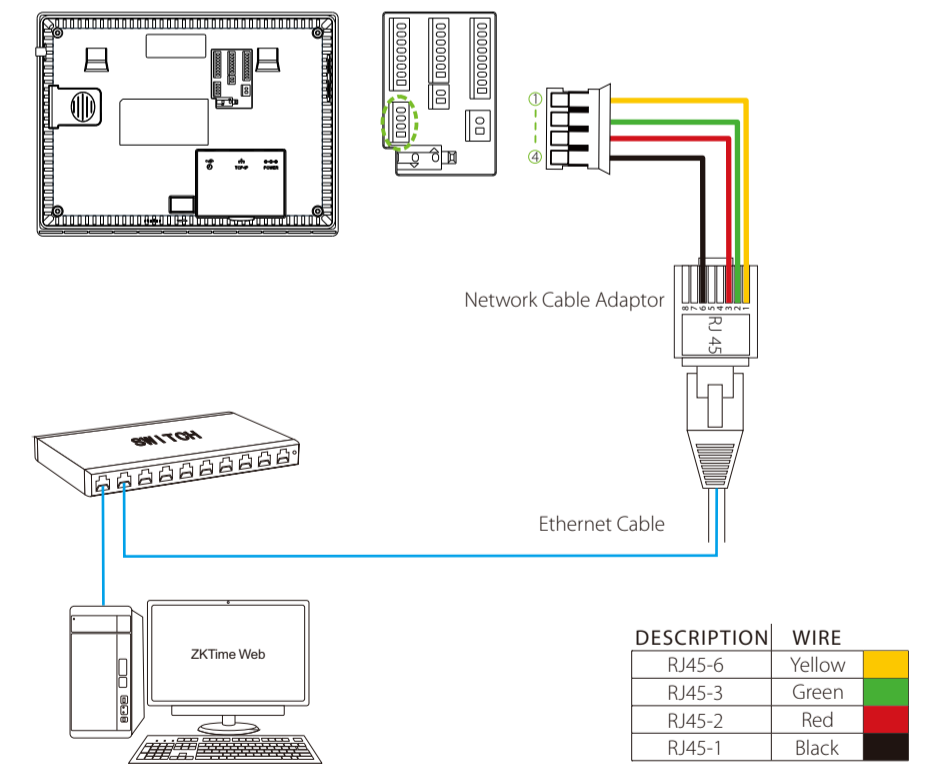
## Lock Relay Connection

### Device sharing power with the lock

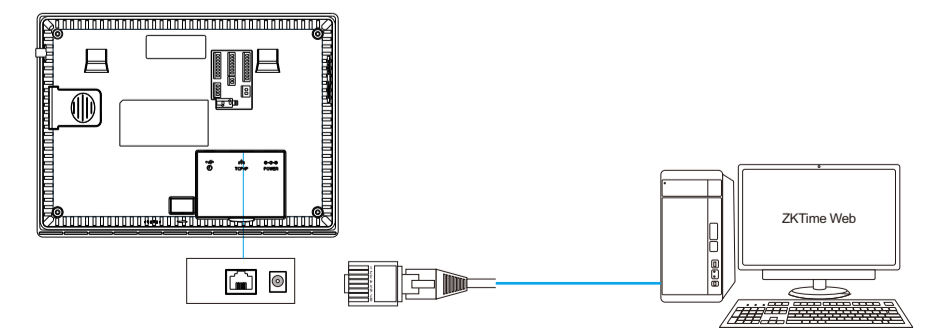


## Ethernet Connection

### LAN connection



### Another way for ethernet connection



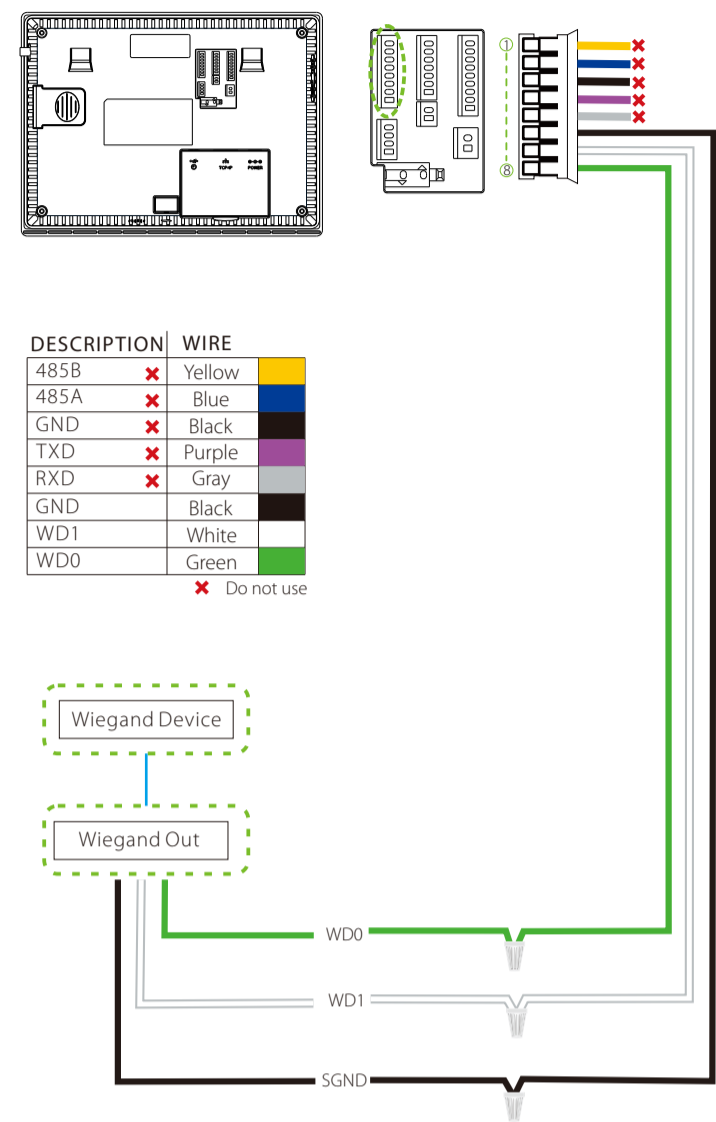
Note: The device can be connected to PC directly by ethernet cable.



ZK Building, Wuhe Road, Gangtou, Bantian, Buji Town, Longgang District, Shenzhen China 518129  
Tel: +86 755-89602345  
Fax: +86 755-89602394  
www.zkteco.com



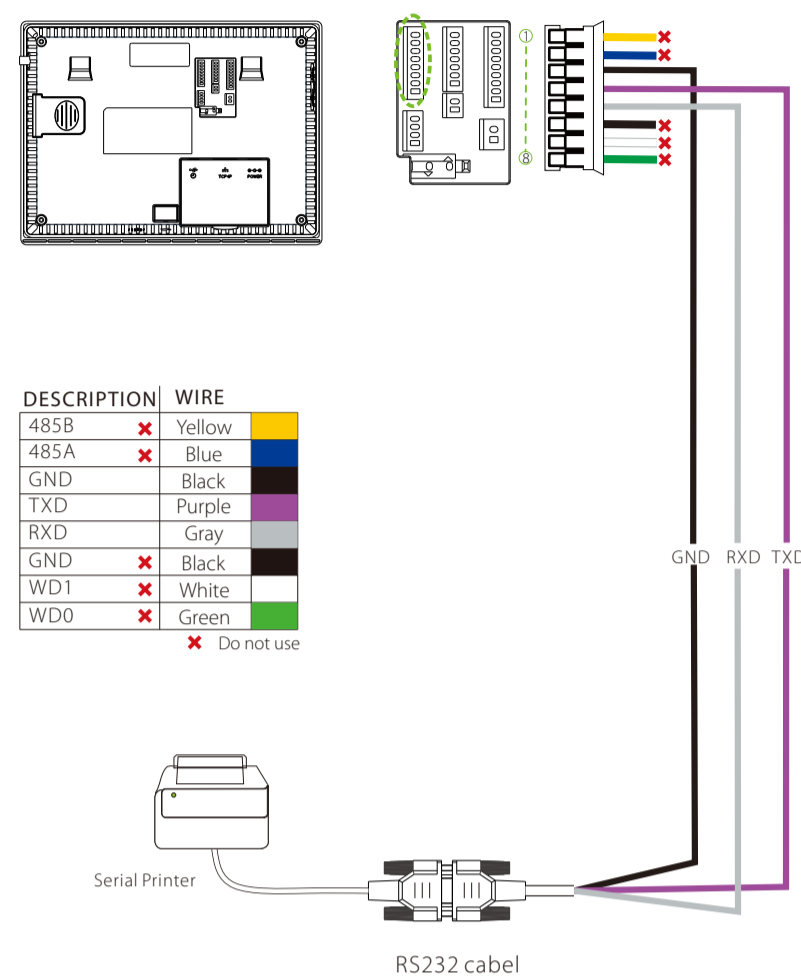
## Wiegand Output Connection



9

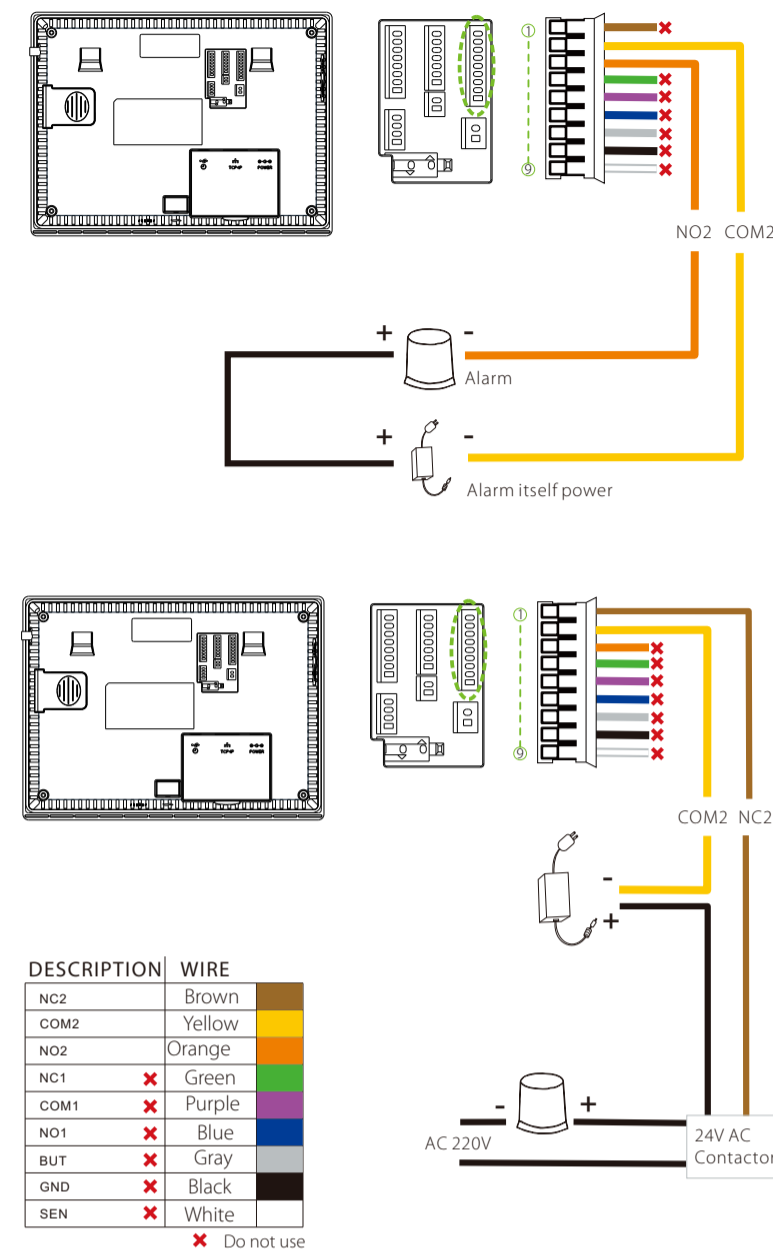
## RS232 Connection

### Printer connect



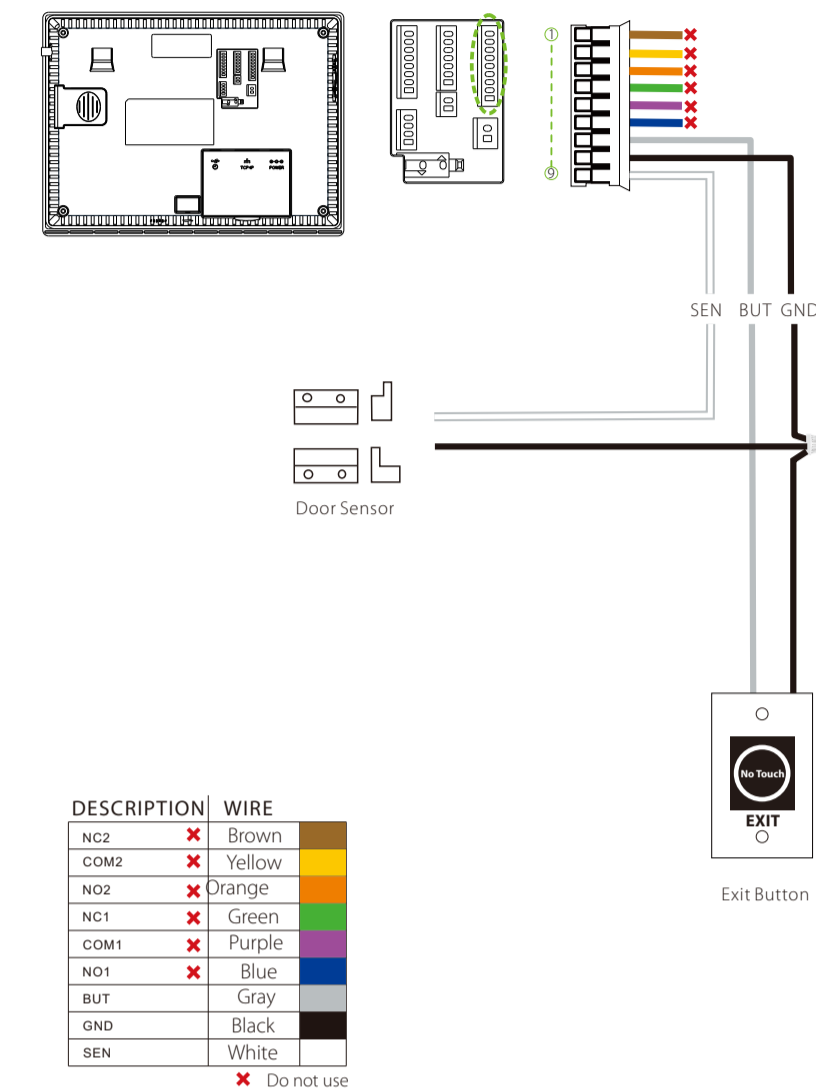
10

## Alarm Connection



11

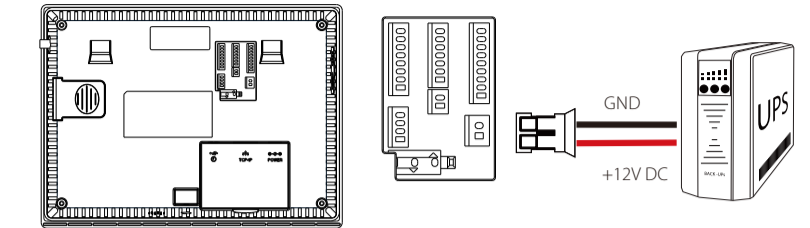
## Button & Sensor Connection



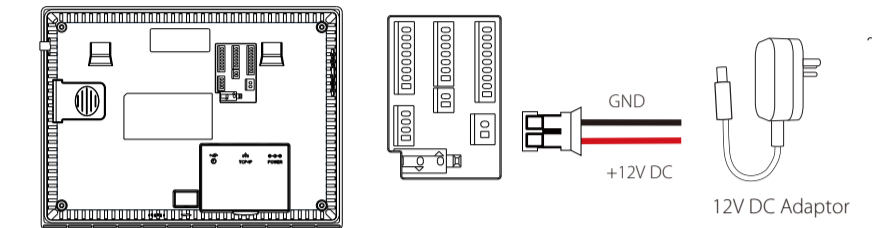
12

## Power Connection

### With UPS (Optional)



### Without UPS

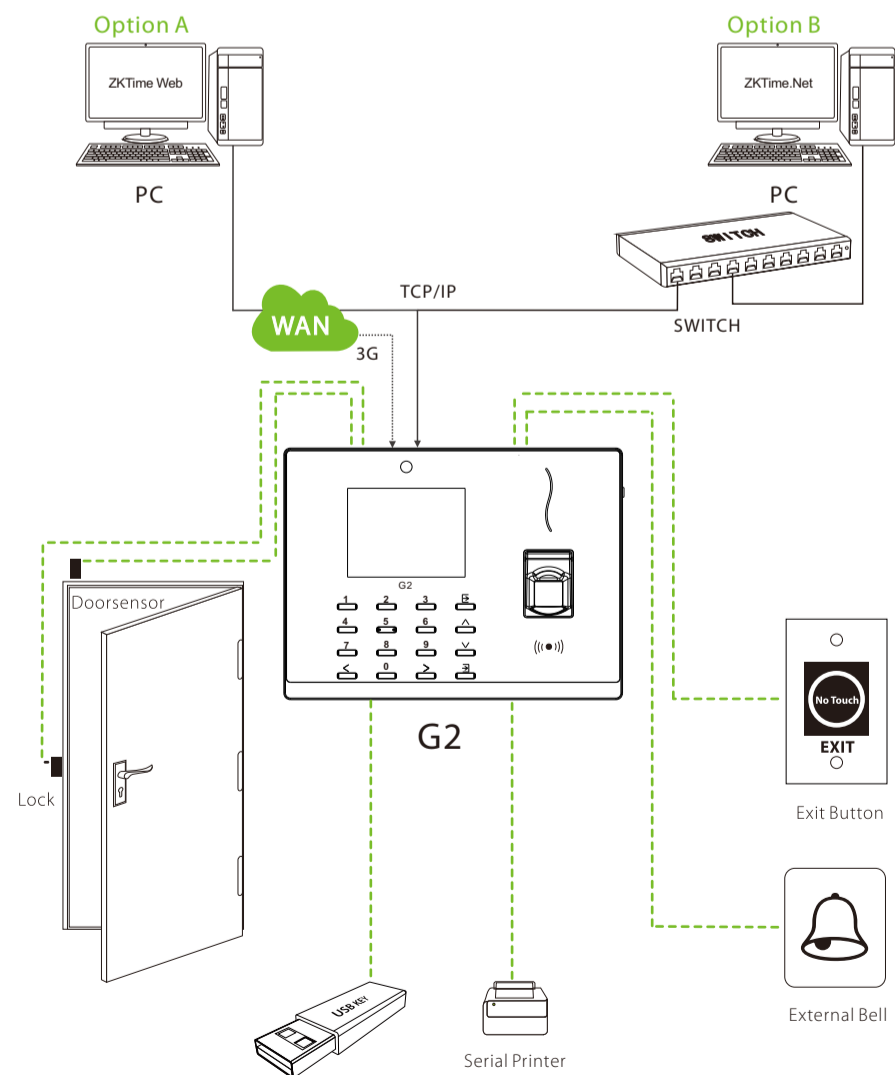


### Recommended power supply

- 1) 12V ± 10%, at least 500mA.
- 2) To share the power with other devices, use a power supply with higher current ratings

13

## Standalone Installation



14

## Device Operation

### Quick flows

To enroll administrator and user:  
Go to Communication Settings>Punch/Verify>View Records

#### 1) Enroll Administrator and Users

a. Enroll Administrator (Main Menu>User Management>New User)

New User	
User ID	1
User Role	Normal User
Fingerprint	0
Badge Number	
Password	
User Photo	0

- User ID: Enroll user ID; it supports 1-9 digits of numbers.
- User Role: Select the user role between Normal User and Super Admin.
- Fingerprint: Enroll a fingerprint or fingerprints.
- Face: Enroll face according to the prompts of screen and voice.
- Badge Number: Enroll a badge by swiping the badge.
- Password: Enroll the password; it supports 1-9 digits of numbers.
- User Photo: Enroll the user photo which will be displayed after verification.
- Access Control Role: Set the Access Control parameters of the user.

Access Control Setting (Main Menu>Access Control) :

Access Control	
Access Control Options	
Time Schedule	
Holidays	
Access Groups	
Combined Verification	
Anti-passback Setup	

- Access Control Options: Including Door Lock Delay, Door Sensor Delay, Door Sensor Type, NC / NO Time Period etc.
- Time Schedule: Schedule Doors' opening time, 50 time zones are available to define.
- Holidays: Set special time zones for holidays.
- Access Groups: Set to manage employees in groups.

15

## Device Operation

- Combined Verification: Set various groups into a combined access group to achieve multi-verification.
- Duress Options: Set duress function options.
- Enroll Normal Users (Follow the same steps of "Enrolling Administrator" except the "User Role" option)

#### 2) Communication Settings (Main Menu>Communication)

Comm.	
Ethernet	
Serial Comm	
PC Connection	
Cellular Data Network	
ADMS	
Wiegand Setup	

- Ethernet: The device can communicate with PC via the Ethernet parameters.
- Serial Comm: The device can communicate with PC via the serial port according to the user-defined parameters.
- PC Connection: Set the password and device ID so that you can connect the device with software in PC.
- Cellular Data Network: When the device is applied on a dial-up network, ensure that the device is within the coverage of the mobile network signals (3G).
- ADMS Setting: Settings used for connecting with ADMS server.
- Wi-Fi Setting: The device provides a Wi-Fi module, which can be built in the device mould or externally connected, to enable data transmission and to establish a wireless network environment.
- Wiegand Setup: Set wiegand-out parameters.

#### 3) Verification (1:1 verification mode for example)

Click [OK] to enter 1:1 verification mode on initial interface.

User ID	
User ID	5

Enter User ID and press [OK].

User ID	
User ID	5
Verify Mode	<input type="radio"/> Password <input checked="" type="radio"/> Fingerprint <input type="radio"/> Face

When multi-verification mode is registered, please choose the verify mode as shown in the figure above: password, fingerprint and face.

16

## Device Operation

#### b. Fingerprint Verification Mode

2015-12-31 15:28	
User ID: 5	Verify - Fingerprint
Please press your finger	
[Fingerprint Icon]	
[Green Checkmark]	
User ID: 5	Name: J
Verify - User ID + Fingerprint	
Successfully verified	

#### c. Password Verification Mode

2015-12-31 15:28	
User ID: 5	Verify - Password
[Password Input Field]	
[Green Checkmark]	
User ID: 5	Name: J
Verify - Password	
Successfully verified	

#### 4) Viewing Attendance Records

a. View records in the device (Main Menu>Attendance Search>Attendance Record)

User ID	
User ID	5
Please Input (query all data without input)	
[Confirm (OK)] [Cancel (ESC)]	

Enter the user ID to search.

Time Range	
Today	<input checked="" type="radio"/>
Yesterday	<input type="radio"/>
This week	<input type="radio"/>
Last week	<input type="radio"/>
This month	<input type="radio"/>
Last month	<input type="radio"/>

Select the time range for attendance record query.

17

## Device Operation

b. View records on computer (Main Menu>USB Manager>Download>Attendance Data)

Download	
Attendance Data	<input checked="" type="checkbox"/>
User Data	<input type="checkbox"/>
User Portrait	<input type="checkbox"/>
Attendance Photo	<input type="checkbox"/>
Blacklist Photo	<input type="checkbox"/>
Work Code	<input type="checkbox"/>

1. Insert the USB disk correctly.
2. Download the attendance data to the disk.
3. Upload the attendance data from the disk to your computer.
4. Name the downloaded data as "Device Serial Number.dat". You can open the downloaded data and view it.

### Backup Data

To avoid data loss due to mis-operation, you can back up the data to local drive or USB disk at any time.

Data Mgt	
Delete Data	<input type="checkbox"/>
Backup Data	<input checked="" type="checkbox"/>
Restore Data	<input type="checkbox"/>

1. Enter Main Menu>Data Management>Backup Data>Saving Type>Data Type to backup.
2. Select the content to be backed up.

### Other Settings

Date Time	
Set Date	2015-12-31
Set Time	17:57:19
24-Hour Time	<input checked="" type="checkbox"/>
Date Format	YYYY-MM-DD
Daylight Saving Time	<input type="checkbox"/>

a. Date Time (Main Menu>System>Date Time)  
Set the date, time and time format for the device.

### Troubleshooting

- Q: "Invalid time zone" is displayed after verification?  
A: Contact Administrator to check if the user has the privilege to gain access within that time zone.
- Q: Verification succeeds but the user cannot gain access?  
A: 1. Check whether the user privilege is set correctly.  
2. Check whether the lock wiring is correct.

18