



PB3000

Parking Barrier

ZK Parking Barrier is a product which ZKTeco owns the independent intellectual property rights. Its boom prevents unauthorized vehicles entering restricted area, and can be raised by the remote control, access control system, and long-distance reader. If a loop detector is installed, impact can be avoided. The boom will be automatically lowered after the vehicle passes through the gate; otherwise, the boom can be lowered manually by using a remote controller or press button.

The parking barrier can be equipped with photo cell. When people / vehicle obscure the infrared launched from photo cell, boom will be stopped and then raised during lowering. After people / vehicle leave, the boom will be automatically lowered. With the Boom illuminator system, light turns green when boom is raised and turns red when boom is lowered. It help driver to determine the position of boom and avoid hitting the boom.

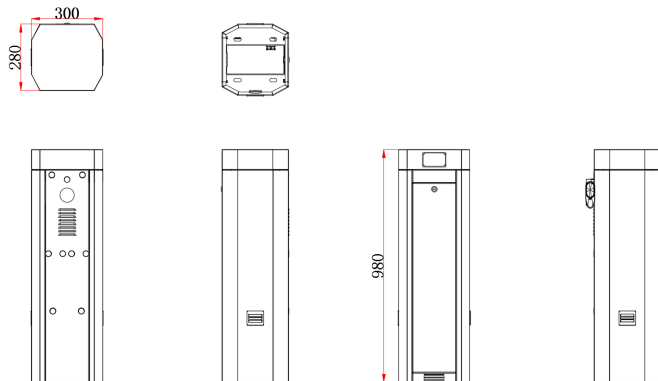
Features

- Compact design, convenient for packing and lowering delivery cost;
- ZK designed rolling pressure spring technology, extending product life;
- Boom can be raised and lowered smoothly and steadily;
- Convenient for maintenance and customization;
- Simple installation – just fix the barrier on floor and connect it to electricity.

Specifications

Lane Width	3M	4M, up to 4.8M with telescopic boom	5M, up to 5.8M with telescopic boom
Opening / Closing Time	1.8S	3S	6S
Supply Voltage	110V AC or 220V AC	110V AC or 220V AC	110V AC or 220V AC
Power Consumption Max.	200W	200W	200W
Frequency	50-60Hz	50-60Hz	50-60Hz
Cabinet Material	Powder Coated Steel	Powder Coated Steel	Powder Coated Steel
Boom Material	Aluminum Alloy	Aluminum Alloy	Aluminum Alloy
Base Frame	Cast Iron	Cast Iron	Cast Iron
Temperature Range	-20°C~+60°C	-20°C~+60°C	-20°C~+60°C
Humidity Range	≤90%	≤90%	≤90%
Ingress Protection	IP54	IP54	IP54
Housing Dimensions (W x D x H)	300 x 280 x 980mm	300 x 280 x 980mm	300 x 280 x 980mm

Dimension



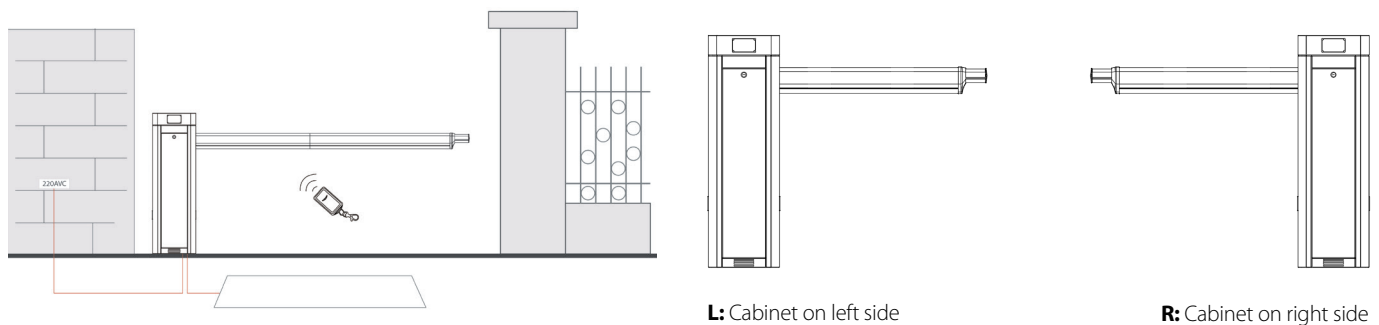
Accessories

- Loop detector
- Photo Cell
- Siren
- Remote Transmitter
- Loop

Optional Functions

- Heater system
- Cooling system
- Boom illuminator system
- Wooden Package
- Controller(C3-100 or inBIO160)

Typical Installation



ZKTECO CO., LTD.
 www.zkteco.com
 E-mail: sales@zkteco.com

© Copyright 2016. ZKTECO CO., LTD. ZKTECO Logo is a registered trademark of ZKTECO or a related company. All other product and company names mentioned are used for identification purposes only and may be the trademarks of their respective owners. All specifications are subject to change without notice. All rights reserved.

